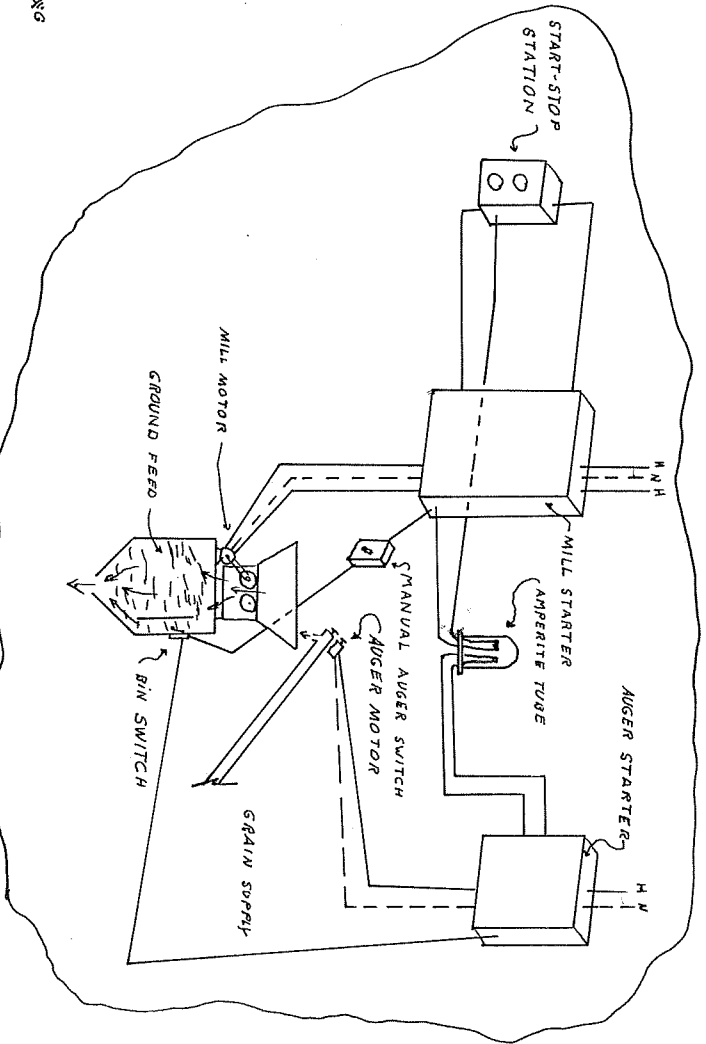
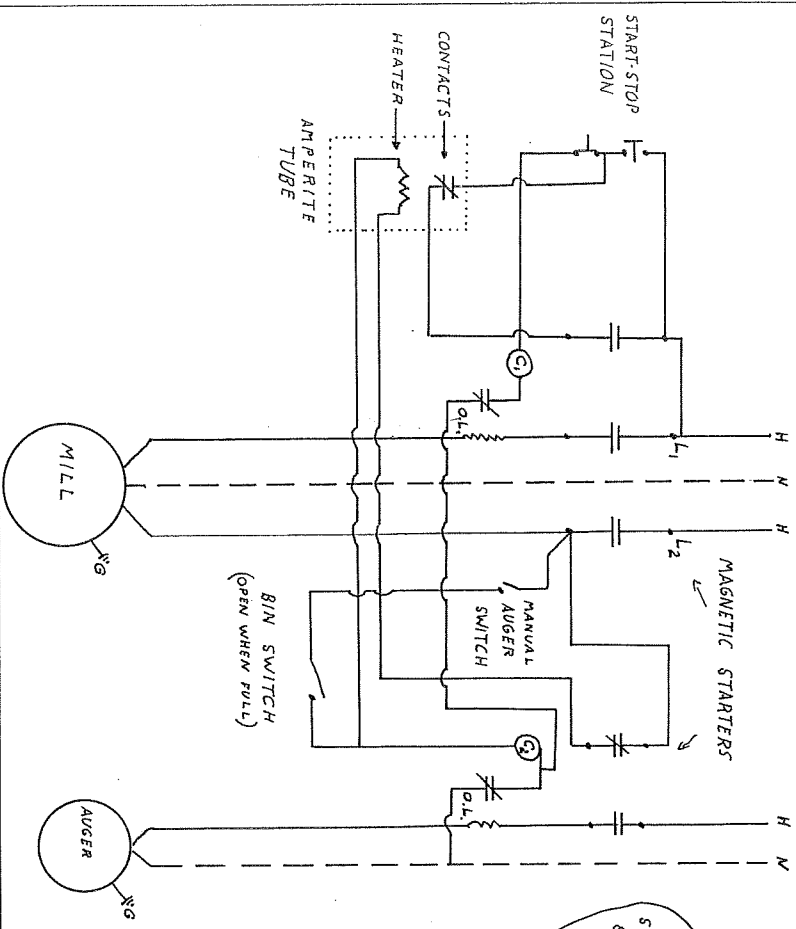


WIRING DIAGRAM FOR MANUAL START-AUTOMATIC STOPPING OF MILL AND GRAIN AUGER



\pm NORMALLY OPEN CONTACTS (N.O.)
 \neq NORMALLY CLOSED CONTACTS (N.C.)
 O.L. OVERLOAD PROTECTION
 H HEATER
 N NEUTRAL WIRE

AMPERITE TUBE Order No. 75PR295
 ALLIED RADIO Tube No. H5G30
 100 N.W. Ave.
 Chicago 80, Ill. \$2.40 ea.
 TUBE BASE NO. 40H258
 (Octal Base)
 51¢ ea.

MICRO-SWITCH (if built on the farm)
 Minneapolis-Honeywell Regulator Co.
 Order Dept.
 2753 4th Ave. South
 Minneapolis, Minn.
 MICRO-SWITCH NO. BA-2RV2
 \$2.86 ea.

NOTICE:
 SEE QUALIFIED ELECTRICIAN FOR
 INSTALLATION...
 FOLLOW N.E.C. ON DUSTY CONDITIONS

CLEM HUBER FARM
 KIMBERLY, N.D.
 WIRING DIAGRAM - MILL OPERATION
 NDSU EXTENSION SERVICE
 CEG 2/65

ND 231-2-1 1 SH.