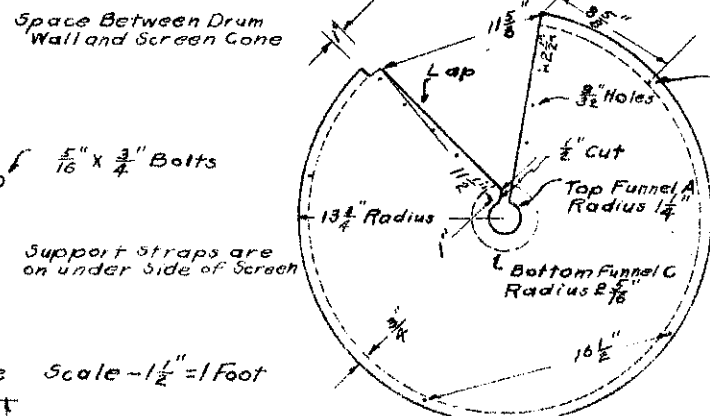
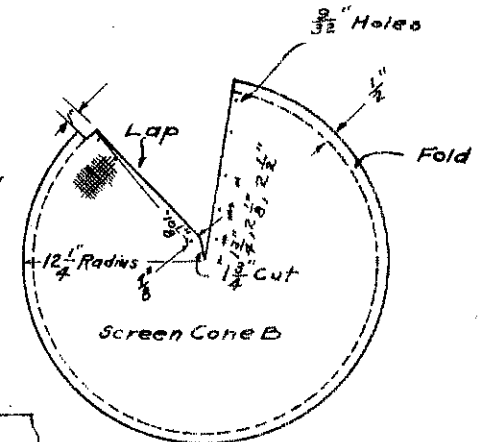


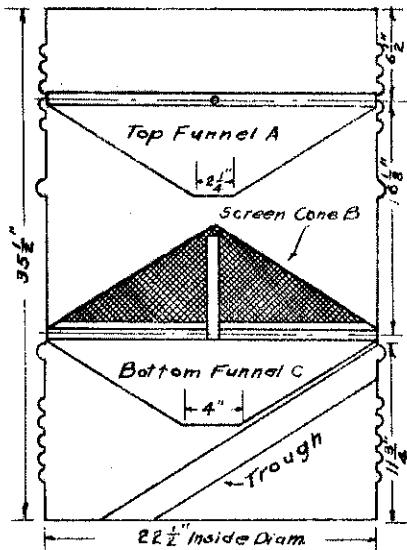
Top View of Screen Cone Scale - $1\frac{1}{2}'' = 1\text{Foot}$



Funnel Pattern Detail Scale $1\frac{1}{2}'' = 1\text{Foot}$

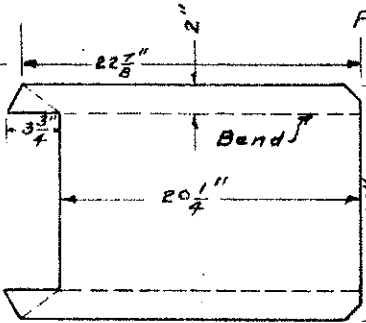


Screen Cone Pattern Scale $1\frac{1}{2}'' = 1\text{Foot}$



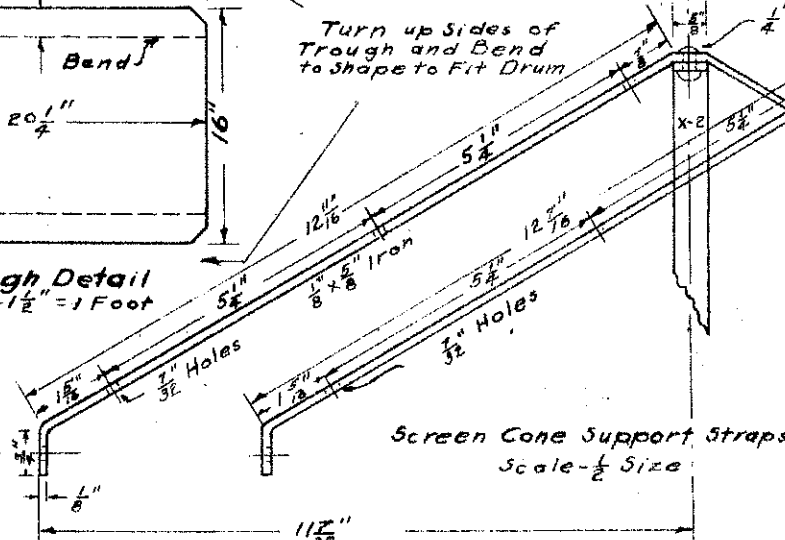
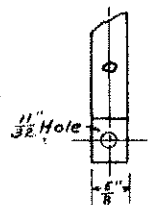
Cross Section of Treater Scale - $1\frac{1}{2}'' = 1\text{Foot}$

55 Gallon Oil Barrel Used
Ends of Drum are Removed



Trough Detail Scale - $1\frac{1}{2}'' = 1\text{Foot}$

Turn up Sides of Trough and Bend to Shape to Fit Drum



Screen Cone Support Straps Scale - $\frac{1}{2}$ Size

x-1 = 27 1/2" Long Overall
x-2 = 27 3/8" Long Overall

COOPERATIVE EXTENSION WORK IN
AGRICULTURE AND HOME ECONOMICS
STATE OF NORTH DAKOTA
NORTH DAKOTA AGRICULTURAL COLLEGE
AND
U. S. DEPT. OF AGRICULTURE COOPERATING
EXT. AGR'L. ENGINEER. FARGO, N. DAK.

GRAVITY SEED TREATER

PLAN NO. N.03162-1-DRAWN BY K.C. FEB 24-1936