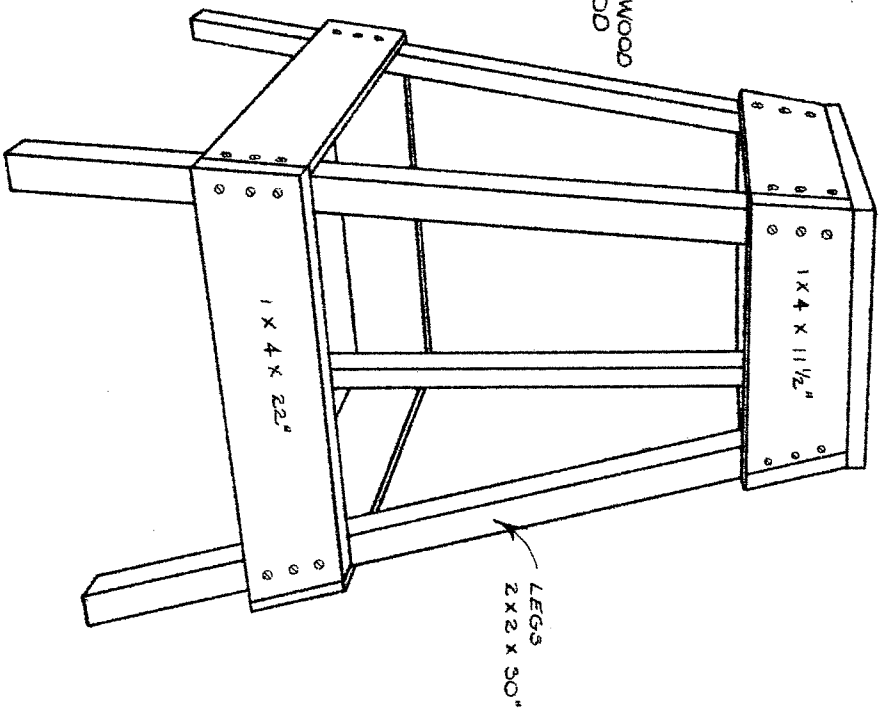


FRONT, SIDE AND BACK VIEW

- MATERIALS LIST:
- 1/2 FT. 1 X 4'S
 - 10 FT. 2 X 2'S
 - 11 1/2" X 11 1/2" X 3/4" OR 1/2" PLYWOOD
 - 48 - 1/4" FLAT HEAD WOOD SCREWS

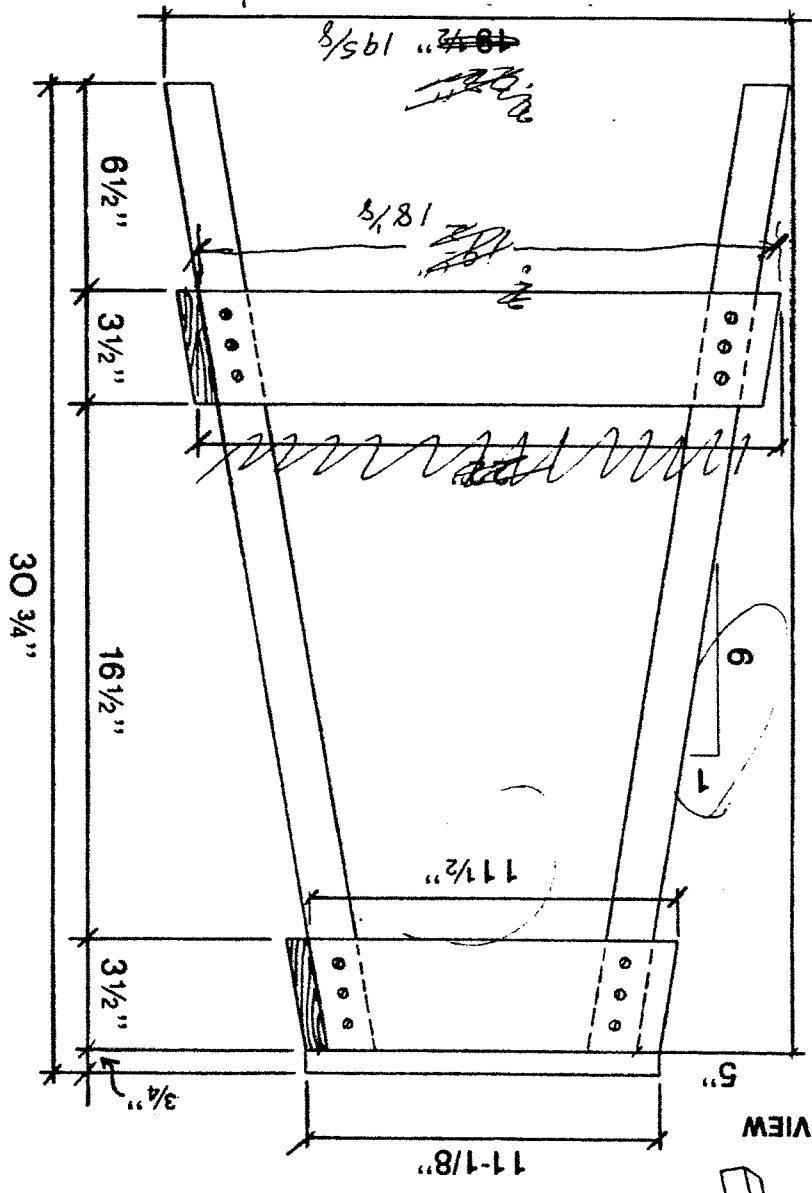
- NOTES:
- * REMOVE 1 X 4'S AFTER CORRECTLY IN PLACE, APPLY GLUE AND REINSTALL.
 - * STOOL HEIGHT CAN BE MODIFIED TO SUIT INDIVIDUAL NEEDS.



PERSPECTIVE VIEW

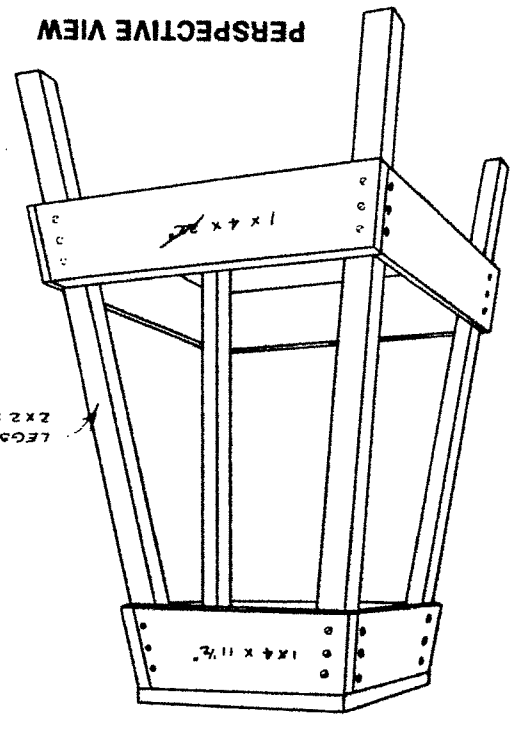
WOOD STOOL	
DATE: 1/84	DR. BY SORBY
SCALE: 3" = 1'-0"	APP. BY JOHNSON
EXTENSION ADAPIC, ENGINEER	
M.D. STATE UNIV., FARGO, N.D.	
ND 378-1-5	758

FRONT, SIDE AND BACK VIEW



Notes:
Remove 1 x 4's after correctly in place,
apply glue and reinstall.
*Stool height can be modified to suit
individual needs.

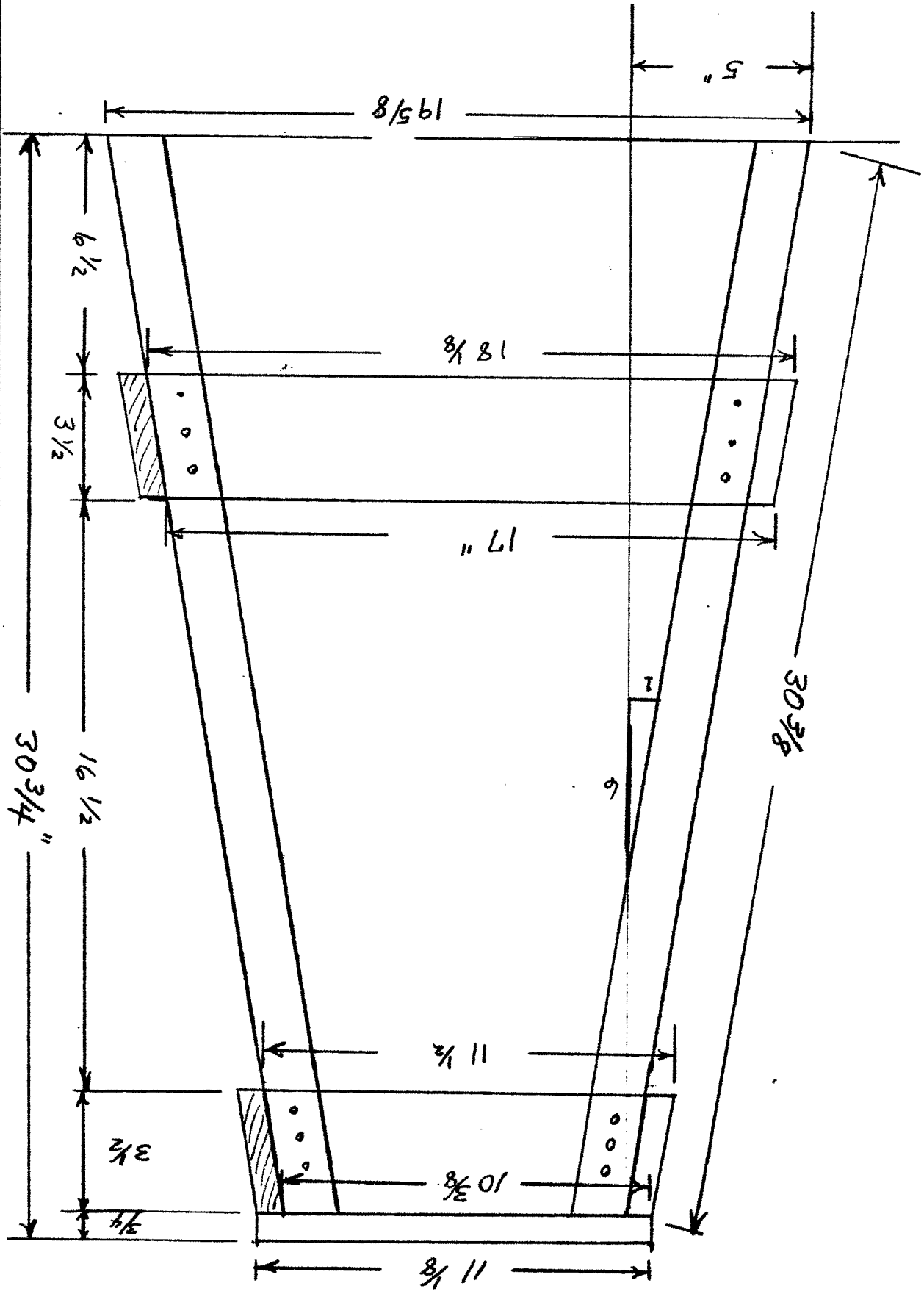
PERSPECTIVE VIEW



- MATERIALS:
- 1-1 x 4 x 12 ft.
 - 1-2 x 2 x 10 ft.
 - 1-11-1/8 x 11-1/8 x 3/4" pine or 1/2" plywood (top)
 - 48-1 1/4" flat head wood screws

WOOD STOOL

K.S. Hellvans
6-26-89



ND 379-1-5 pg3