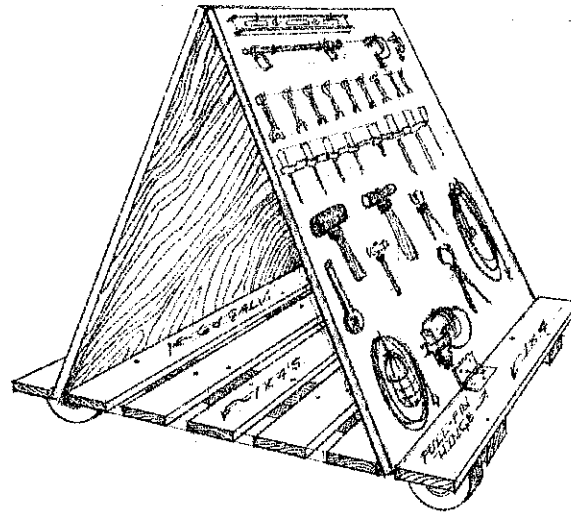
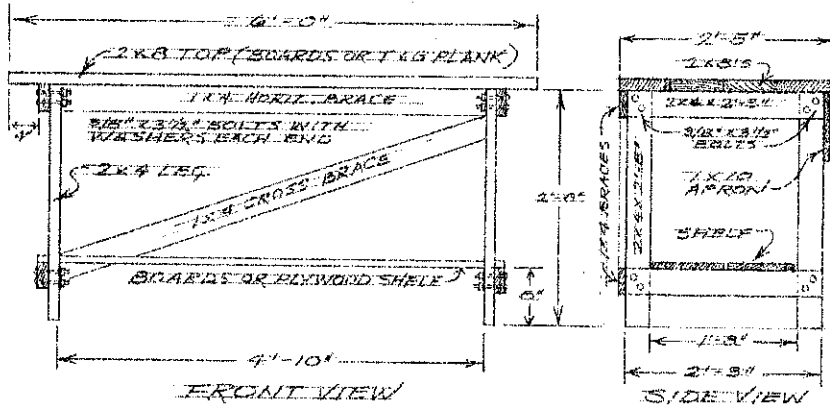
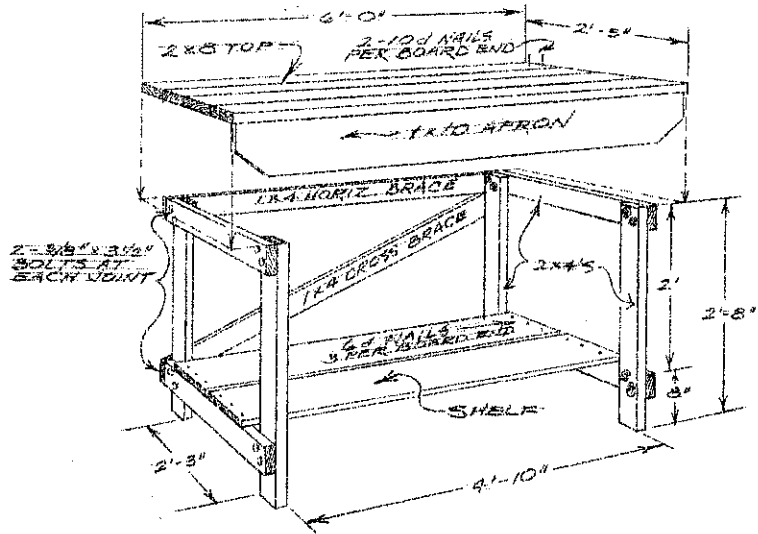


**WORK BENCH**  
**MATERIALS LIST**

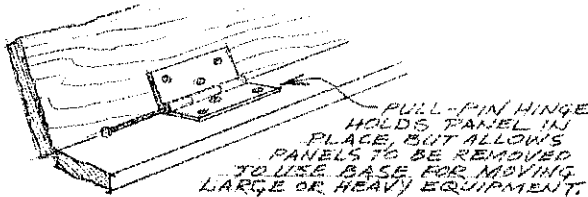
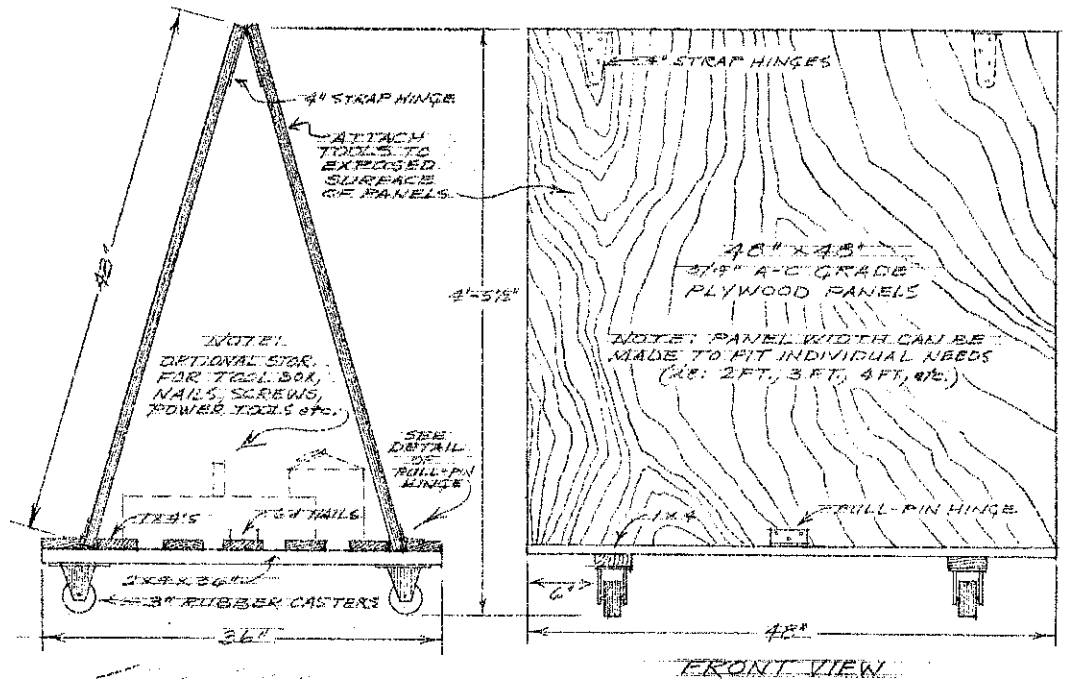
- 4 (1) 2x8 x 6 FT. BOARDS OR 1x6 PLANKS (FIR)
  - 1 (1) 1x10 x 6 FT. APRON (PINE, HEMLOCK)
  - 1 (1) 1x4 x 12 FT. (BACK BRACE) (PINE OR HEMLOCK)
  - 4 (1) 2x4 x 2-3/4" HORIZ. SUPPORTS (1-9 FT.) (FIR)
  - 4 (1) 2x4 x 2-1/2" LEGS (1-11 FT.) (FIR)
  - 2 (1) 1x10 x 6 FT. SHELF BOARDS (1-12 FT.) OR 3/4" PLYWOOD
  - 10 (1) 3/8" x 3 1/2" BOLTS WITH WASHERS
  - 1 (1) 10 L GALV. CASING OR BARBED BOX NAILS
- PAINT BENCH IN A LIGHT COLOR. USE ENAMEL PAINT OVER RECOMMENDED PRIME COAT.



**PORTABLE TOOL RACK**

**MATERIALS LIST**

- 1 SHEET 4'x8'x3/4" A-C PLYWOOD
  - (1) 2x4 x 4 FT.
  - 7 (1) 1x3 x 3 FT. (1-10 FT., 1-12 FT.)
  - 2 (1) 4" STRAP HINGES
  - 2 (1) 3" x 3" PULL-PIN HINGES
  - 4 (1) 3" RUBBER CASTERS
  - 28 (1) 6d GALV. BOX NAILS
- PAINT CART IN A LIGHT COLOR. USE ENAMEL PAINT OVER RECOMMENDED PRIME COAT.



**WORK BENCH / PORTABLE TOOL RACK**

SCALE	DRAWN BY R. CASSETTE
	REVISED [Signature]
PREPARED BY NDSU EXTENSION AGR. ENG. DEPT.	
DATE Aug '83	APPROVED BY ND 379-1-7
	DRAWING NUMBER SHT. 1 of 1