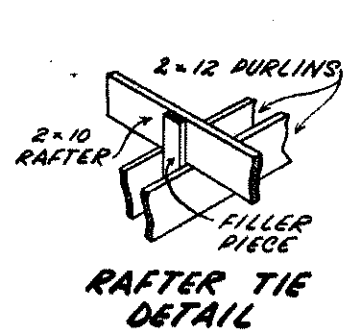
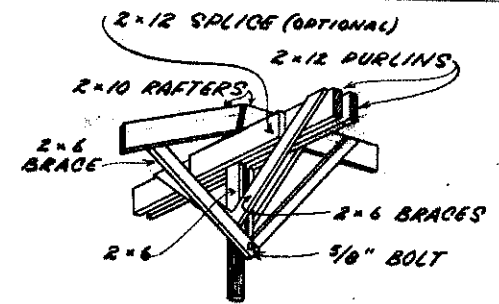


**FLOOR PLAN**

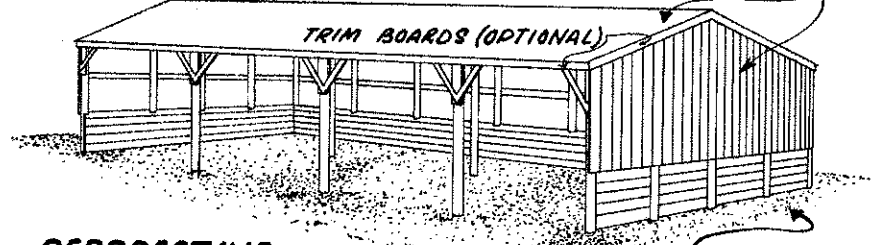


**RAFTER TIE DETAIL**

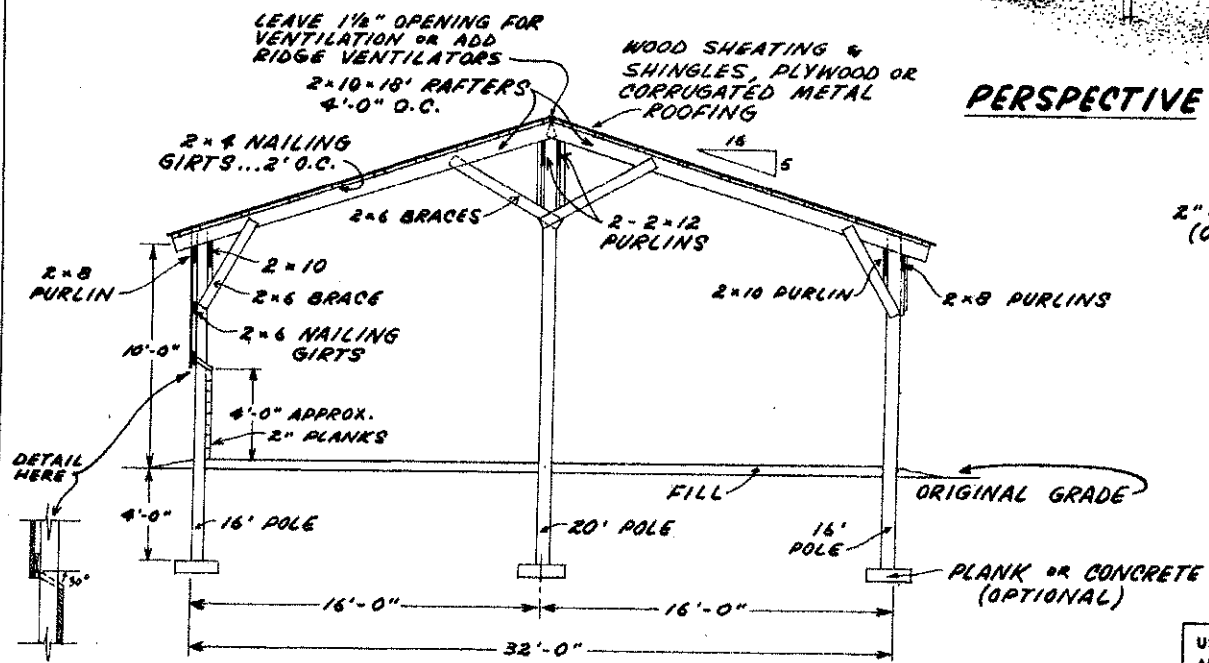


**RAFTER JOINT DETAIL**

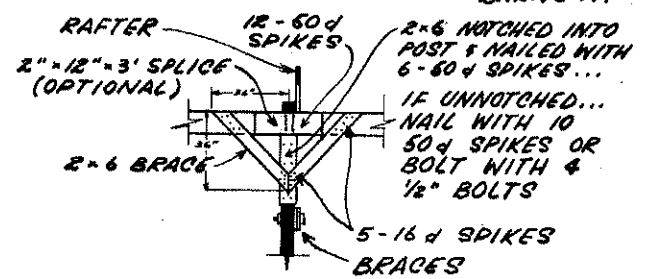
WOOD OR METAL SHEATING (OPTIONAL) ON ROOF AND SIDEWALLS



**PERSPECTIVE**



**CROSS SECTION**



**DETAIL OF BRACES AT PURLIN**

USE PRESSURE TREATED POLES AND FRAMING MATERIALS FOR ALL SECTIONS IN CONTACT WITH THE GROUND.

COOPERATIVE EXTENSION WORK IN AGRICULTURE AND HOME ECONOMICS  
STATE OF NORTH DAKOTA  
NORTH DAKOTA AGRICULTURAL COLLEGE  
AND  
UNITED STATES DEPARTMENT OF AGRICULTURE COOPERATING

**32 FT. POLE BARN  
GABLE ROOF**

N.O. 724-1-2      DATE: 12-1-56

*Reference 13'*