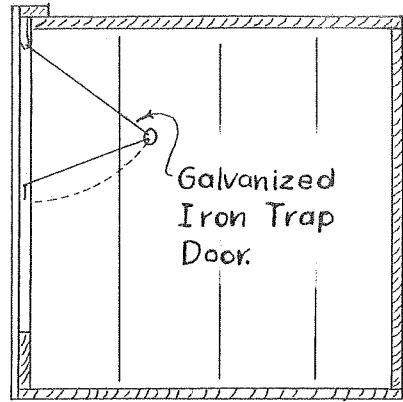
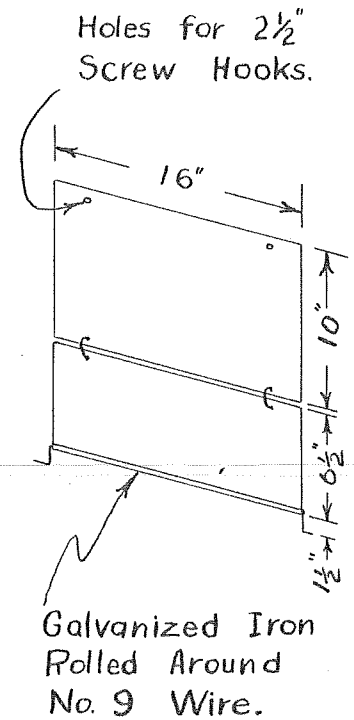
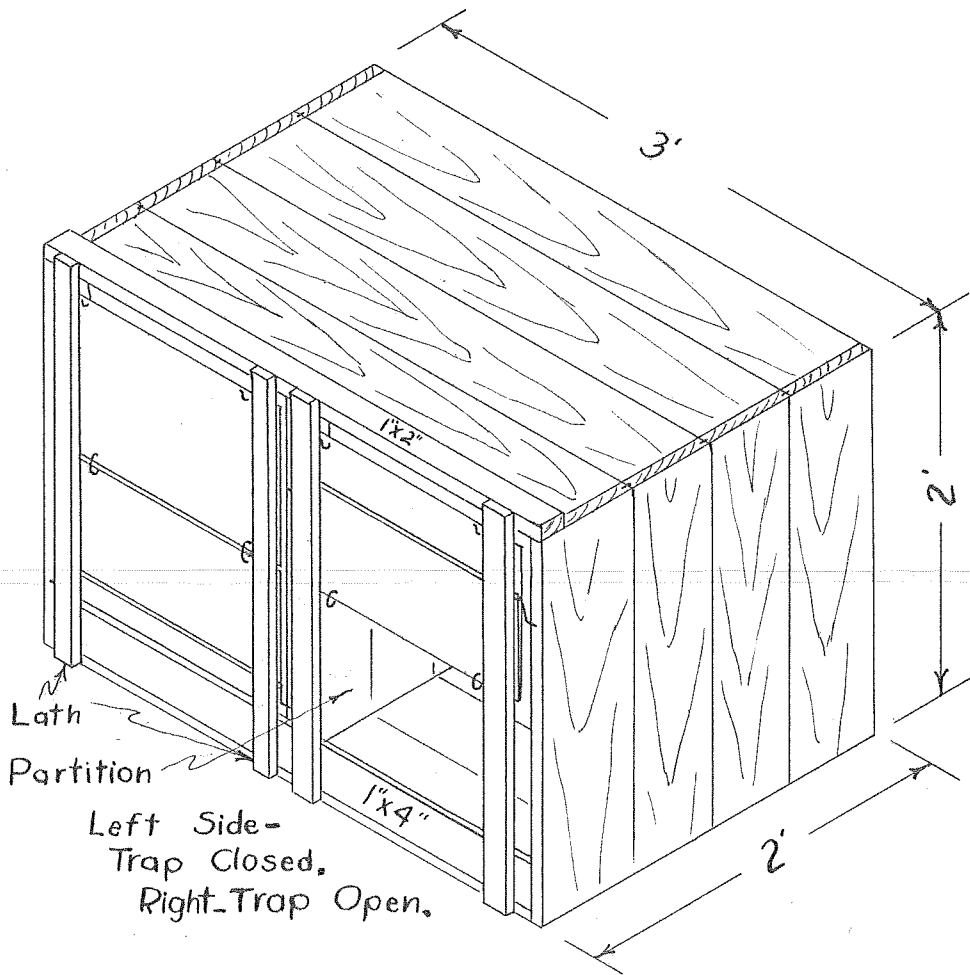


Front View



Section



Detail of Trap Door.

COOPERATIVE EXTENSION WORK IN  
 AGRICULTURE AND HOME ECONOMICS  
 STATE OF NORTH DAKOTA  
 NORTH DAKOTA AGRICULTURAL COLLEGE  
 AND  
 U. S. DEPT. OF AGRICULTURE COOPERATING  
 EXT. AGR'L ENGINEER - FARGO, N. DAK.

TURKEY TRAP NEST.

PLAN NO. ND 7271-6-1 DRAWN BY A.E.D. 3-15-34  
 TRACED BY L.K.