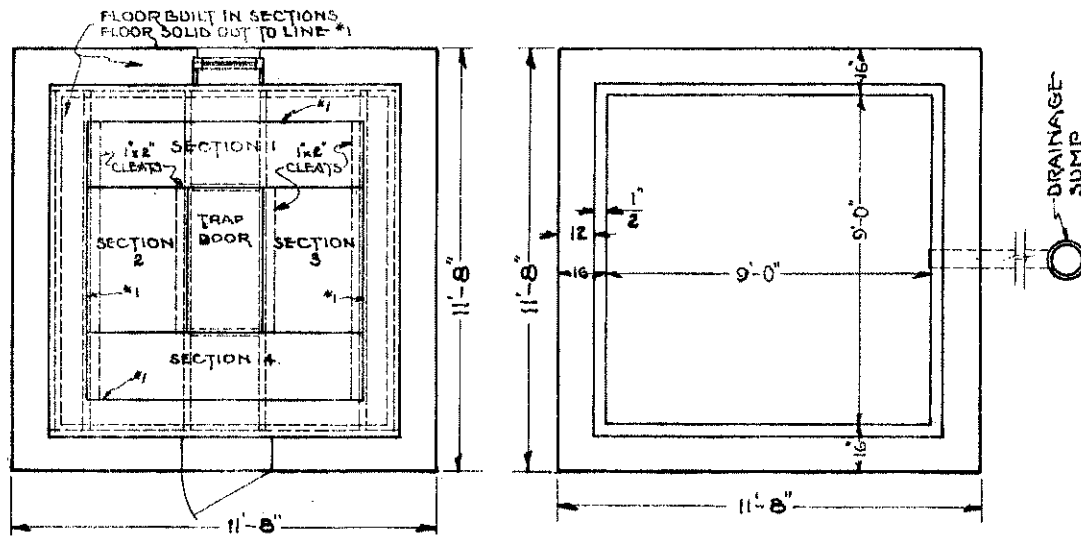


FRONT VIEW WITH PART SECTION
SCALE $\frac{3}{8} = 1'-0"$

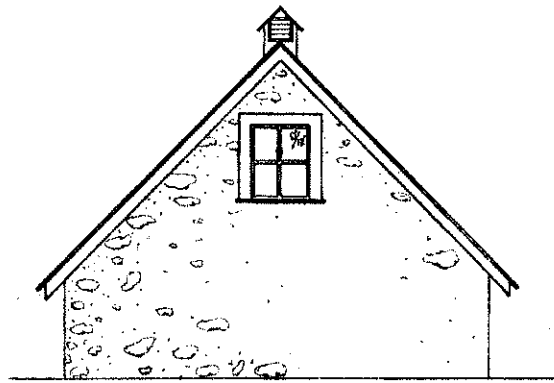


FLOOR PLAN

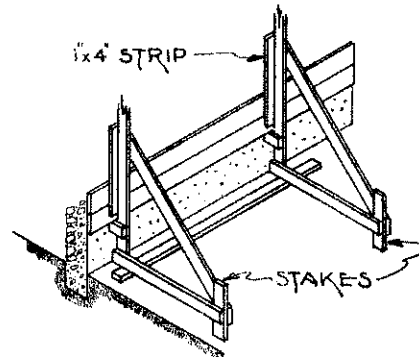
PLAN OF FOUNDATION & PIT

ICE WELL NO. 2

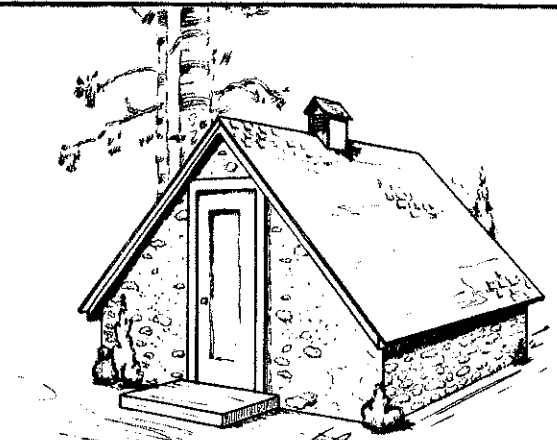
SCALE $\frac{3}{8} = 1'-0"$



BACK END VIEW
SCALE $\frac{3}{8} = 1'-0"$



WALL FORMS



PERSPECTIVE

BILL OF MATERIALS

NO. REQ	SIZE	DESCRIPTION
14	2x4x12-0	RAFTERS
4	2x4x12-0	PLATE
1	1x6x12-0	RIDGE BOARD
300 SQ. FT.	1x12"	SHIPLAP
2400	16"	SHINGLES
1	2-6x6-0	DOOR
2	3 1/2 x 3 1/2	" BUTTS
1	3 1/2 x 3 1/2 x 3/8	MORTISE KNOB LOCK
1	1-10x2-8	SASH 4-3/8 LTS.
4	1x4x12-0	TRIM DOOR & WINDOW
4	1x6x12-0	" EAVES
8	2x6x12-0	JOISTS
295 SQ. FT.	1x6	FLOORING T & G.
300 SQ. FT.	36" WIDE	TAR PAPER
330 SQ. FT.		BUILDERS PAPER
4	1x5x12-0	CLEATS
2	1x10x10-0	DUMB-WAITER
1	1 1/2 x 1 1/2 x 3/8	PULLEY
25 FT.	3/8	ROPE
10 FT	6"	DRAIN TILE
12 FT	10"	"
4 CU. YD.		GRAVEL
1 QT.		EXTERIOR PAINT
5*	10d	COMMON NAIL
20*	8d	"
18*	4d	SHINGLE
STONE WALL:		
1 PART CEMENT TO 3 PARTS SAND.		
1/2 CU. YD. CEMENT MORTAR FOR		
1 CU. YD. OF WALL		
80	BAGS	CEMENT
0	CU. YD.	SAND
25	"	STONE

COOPERATIVE EXTENSION WORK IN
AGRICULTURE AND HOME ECONOMICS
STATE OF NORTH DAKOTA
NORTH DAKOTA AGRICULTURAL COLLEGE
AND
U.S. DEPT. OF AGRICULTURE COOPERATING
EXT. AGR. ENGINEER, FARGO, N. DAK.

RUBBLE ICE WELL

PLAN NO. N.D. 744-5-1 DRN. BY J. L. W. DATE 10/7/27