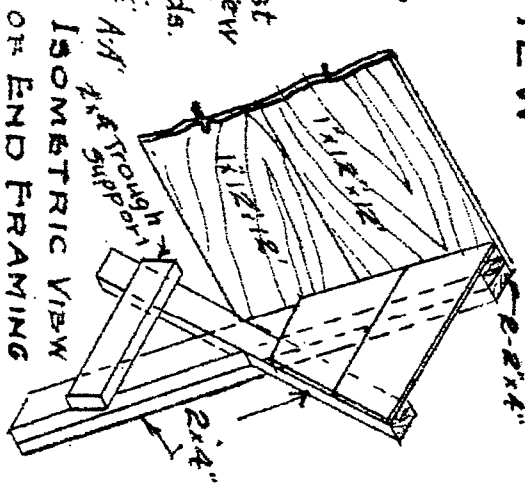


SECTION THRU A-A



ISOMETRIC VIEW OF END FRAMING

- BILL OF MATERIALS -**
- 2 Pcs. 2x4x14' End Frames
 - 4 Pcs. 1x12x12' Sides.
 - 3 Pcs. 1x8x12' Ends
 - 2 Pcs. 1x4x16' Trough
- DIRECTION →**
- (1) Make end framings first as shown in Isometric View
 - (2) Make grain Trough
 - (3) Nail grain trough to ends.
 - (4) Nail on sides of hay rack.
 - (5) Nail in partition shown at A-A
- Cost of Material \$6.00

NORTH DAKOTA AGRICULTURAL COLLEGE
 Extension Division, DIRECTOR
 Cooperative Agricultural Extension Work
 Acts of May 8th and June 30, 1914

Always Give
 This Number
 ND 72-14

HAY AND GRAIN RACK FOR SHEEP
 Scale 3/4" = 1'-0"
 Designed by Agr. Experiment Sta.
 Drawn by R.C.M. Dept. Agr. Eng.