

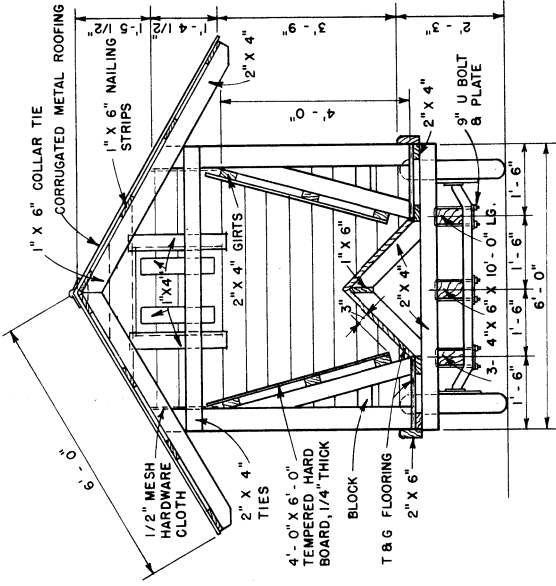
BILL OF MATERIALS

LUMBER

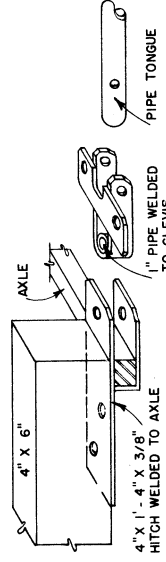
- 3 - 4" X 6" X 10' - 0"
- 6 - 2" X 4" X 6' - 0"
- 2 - 2" X 4" X 6' - 0"
- 2 - 2" X 6" X 6' - 2"
- 8 - 2" X 4" X 2' - 0"
- 1 - 1" X 6" X 6' - 0"
- 17 - 1" X 6" X 6' - 0"
- 8 - 2" X 6" X 6' - 0"
- 4 - 2" X 4" X 8' - 0"
- 6 - 2" X 4" X 6' - 0"
- 2 - 2" X 4" X 6' - 0"
- 8 - 2" X 4" X 6' - 0"
- 8 - 1" X 6" X 8' - 0"
- 2 - 1" X 4" X 8' - 0"
- 2 - 1" X 4" X 8' - 0"
- 2 - 1" X 6" X 2' - 0"
- 90 FT. B.M. 1" X 6"

MISCELLANEOUS

- 4 LBS 8d COMMON NAILS
- 3 LBS 10d COMMON NAILS
- 1 LB 16d COMMON NAILS
- 2 PAIR 6" TEE HINGES
- 2 SHEETS 4' - 0" X 6' - 0" TEMPERED HARD BOARD, 1/4" THICK
- 8 SHEETS 26" WIDE X 6' - 0" METAL ROOFING
- 1 METAL RIDGE 8' - 0" LONG
- 7 L.F. 1/2" MESH HARDWARE CLOTH, 36" WIDE

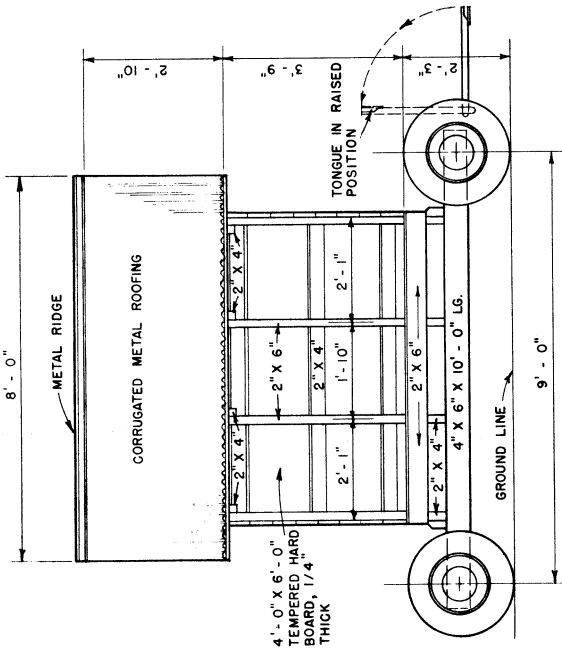


CROSS SECTION

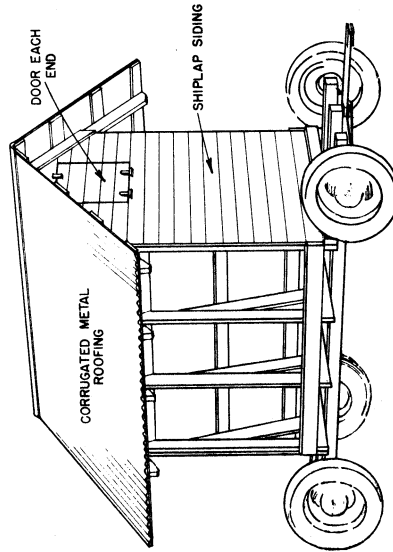


**ISOMETRIC VIEW SHOWING PARTS FOR HITCH
(SIZES VARY ACCORDING TO TYPE OF AXLE USED)**

HITCH DETAILS

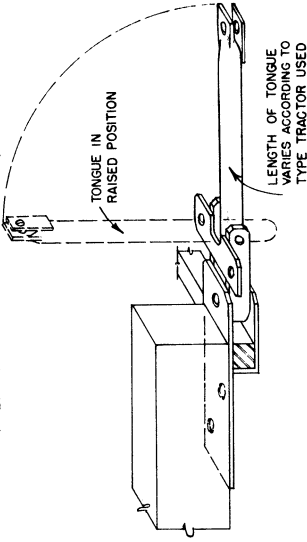


ELEVATION



PERSPECTIVE

**ASSEMBLED VIEW
OF HITCH**



- NOTES**
1. 600 X 16 WHEEL AND AXLE ASSEMBLY INDICATED. OTHER ASSEMBLIES MAY BE SUBSTITUTED WITH NECESSARY MODIFICATION PROVIDED FEED TROUGH HEIGHT AS SHOWN IS MAINTAINED.
 2. CAPACITY: APPROXIMATELY 80 BU. GROUND FEED.

**COOPERATIVE EXTENSION WORK IN
AGRICULTURE AND HOME ECONOMICS**
 State of Tennessee
 The University of Tennessee
 Biological Engineering and Soil Science Department
 UNITED STATES DEPARTMENT OF AGRICULTURE COOPERATING

MOVABLE SELF FEEDER FOR CATTLE

USDA '53 EX. 5776 SHEET 1 OF 1