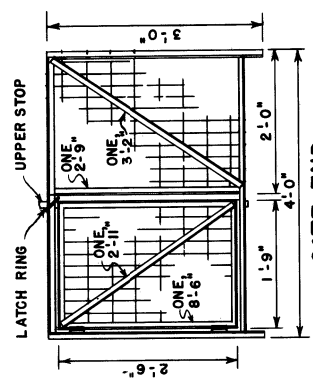
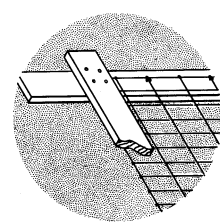


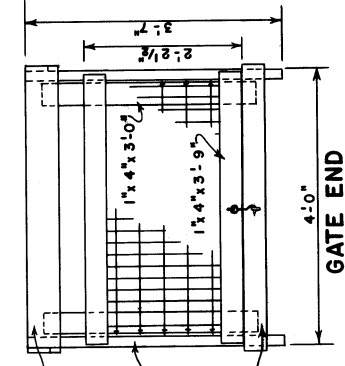
GATE LATCH DETAIL
LOOSE RING ON THE TOP RAIL SLIDE OVER THE UPPER GATE-STOP TO HOLD GATE CLOSED. INSIDE DIAMETER OF RING IS ABOUT 2 1/2"



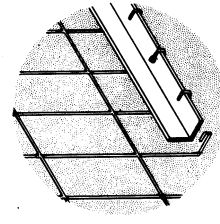
GATE END
STEEL FRAMED PEN



GATE PANEL DETAIL
WIRE MESH EXTENDS BETWEEN BOARDS TO SERVE AS SHIM



GATE END
WOOD - FRAMED PEN

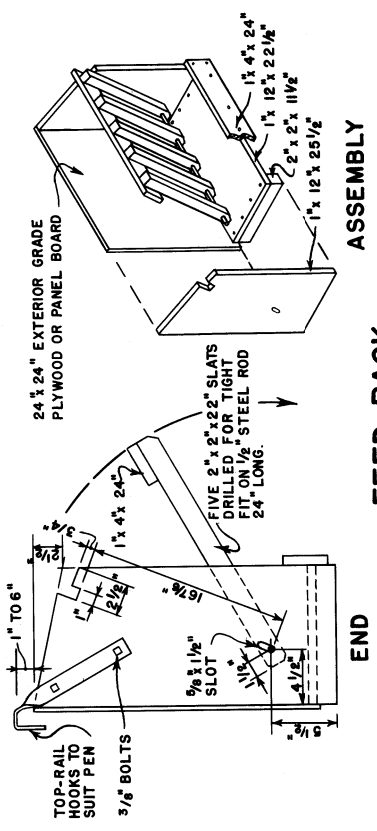
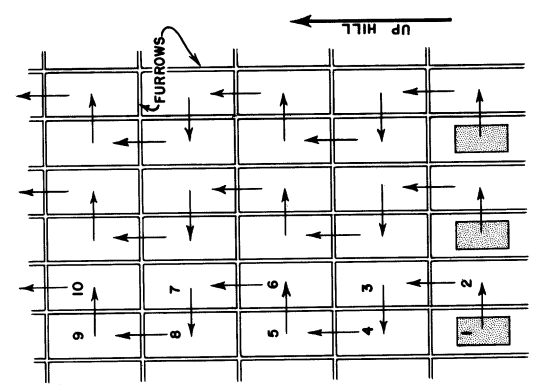


TYPICAL DETAIL
WIRE MESH IS STRETCHED INSIDE FRAME, WIRE ENDS ARE BENT AROUND AND CLINCHED OVER THE TOP AND BOTTOM RAILS, THEN TACK WELDED AT LEAST EVERY 12" CORNER POSTS, SIMILAR.

PEN FRAMING IS ALL 1/8"x1"x1" STEEL ANGLES, WELDED. QUANTITIES AND LENGTHS OF PARTS ARE NOTED ON THE DRAWING. UPPER AND LOWER GATE STOPS ARE 6" AND 4" LONG. AFTER ASSEMBLY, APPLY RUST-INHIBITING PAINT OR ENAMEL TO FRAME AND WIRE MESH.

WIRE MESH: 25 FT. LENGTH COVER IS SIMILAR TO THAT FOR WOODEN PEN, EXCEPT BATTENS ARE RIPPED FROM A 2"x6"

RECOMMENDED MANAGEMENT
PENS ARE MOVED TO CLEAN GROUND AT 7-DAY INTERVALS, AS SHOWN ABOVE. THE PLOWED FURROWS HELP AVOID CONTAMINATION AND IMPROVE DRAINAGE.



ALL LUMBER SHOULD BE THOROUGHLY SOAKED IN A NON-TOXIC PRESERVATIVE, SUCH AS PENTACHLOROPHENOL OR COPPER-NAPHTHENATE, AFTER CUTTING. ASSEMBLY WITH RUST-PROOF SCREWS, NAILS & STAPLES.

LUMBER:
2" x 4" x 7'-0" 3 PCS
2" x 2" x 8'-0" 1
2" x 2" x 8'-0" 2
1" x 6" x 8'-0" 2
1" x 4" x 8'-0" 7
1" x 4" x 6'-0" 1

WIRE MESH: 24 FT. LENGTH TO REMOVE GATE-PANEL, UNHOOK, LIFT UP AND PULL OUT AT THE LOWER EDGE.

WELDED WIRE MESH USED FOR BOTH PENS IS 2" x 4" 12/12 36" HIGH, GALVANIZED.