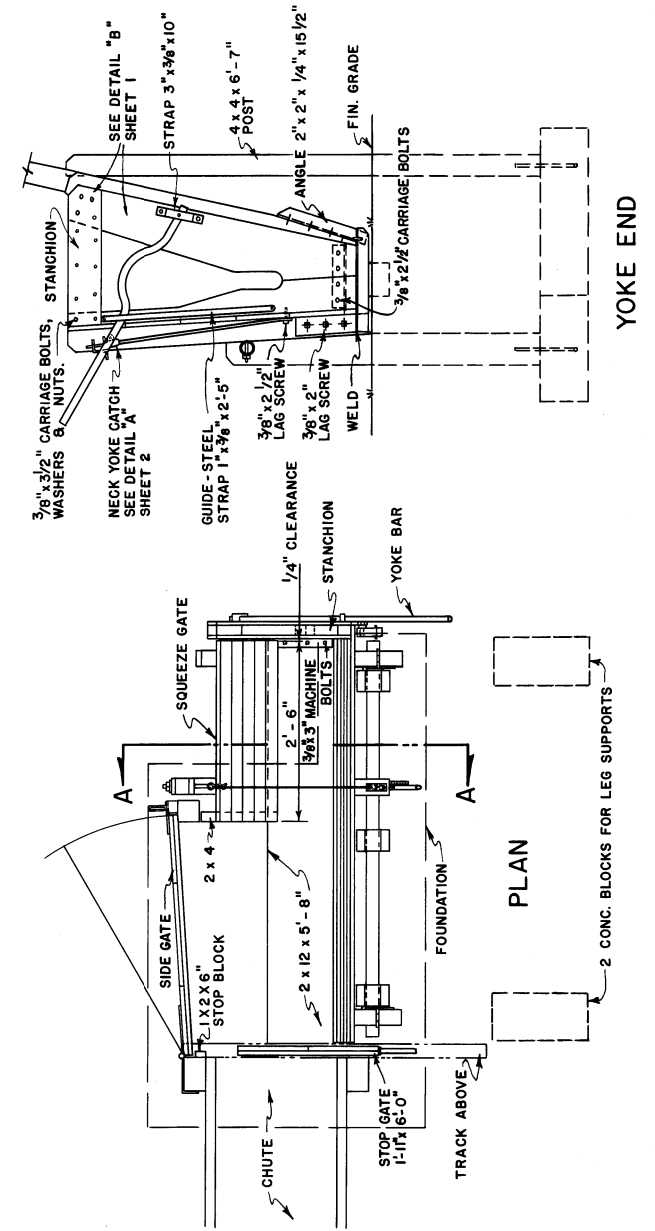


TABLE SIDE

SECTION A-A

GATE SIDE



PLAN

ALL WOOD IN CONTACT WITH THE GROUND SHOULD BE PRESERVED - TREATED WITH PRESERVATIVE (AFTER CUTTING) TO 8 LBS. PER CU. FT. RETENTION.

BASED ON MONT. PLAN C-201