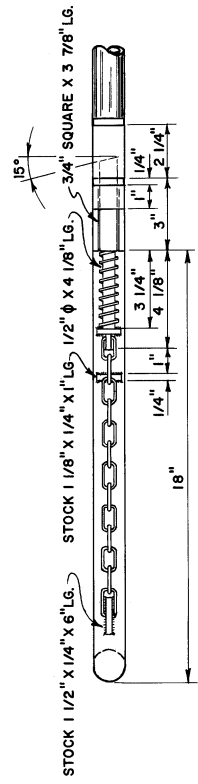


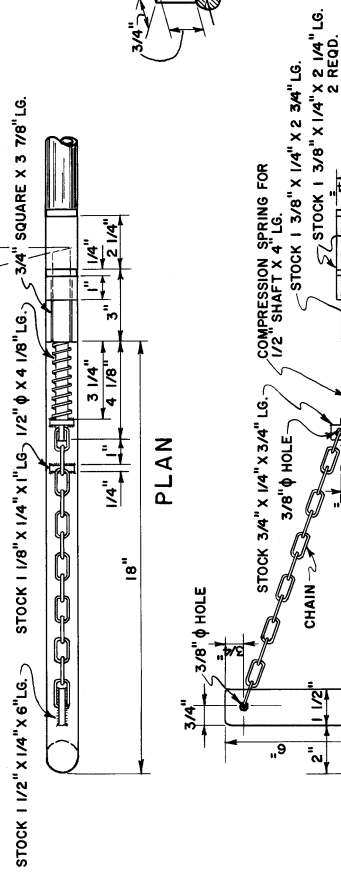
RIGHT SIDE VIEW

FRONT END VIEW

LEFT SIDE VIEW

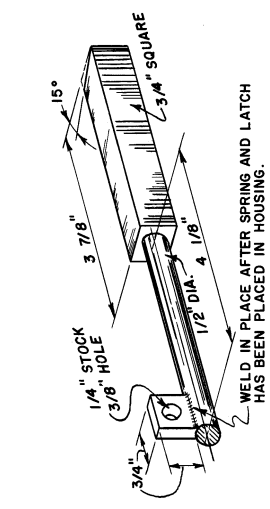


PLAN



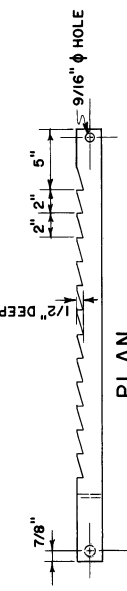
ELEVATION

DETAILS OF SQUEEZE LATCH
(ONE REQUIRED)

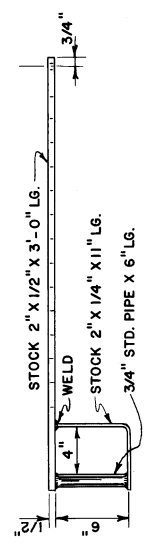


LATCH DETAIL

WELD IN PLACE AFTER SPRING AND LATCH HAS BEEN PLACED IN HOUSING.

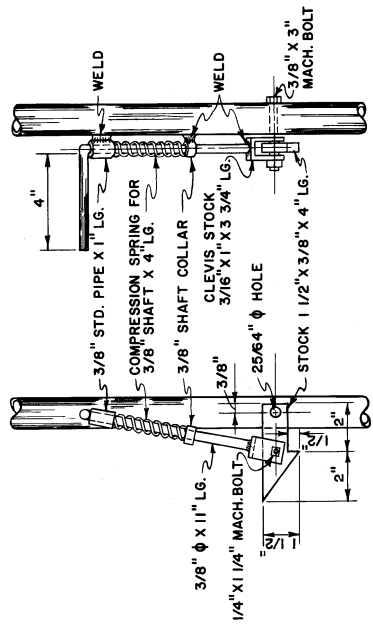


PLAN



ELEVATION

DETAIL OF RATCHET BAR
(ONE REQUIRED)



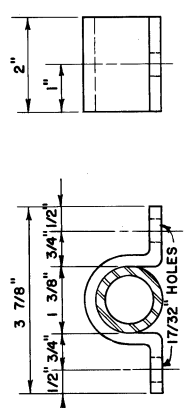
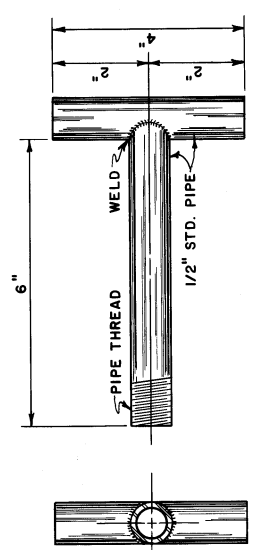
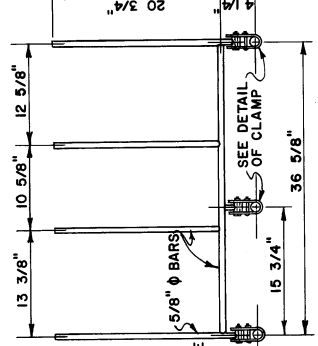
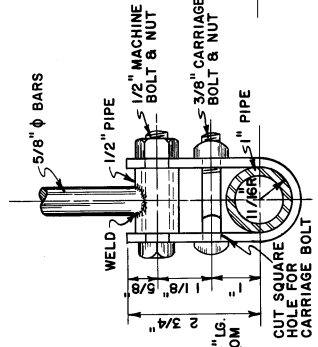
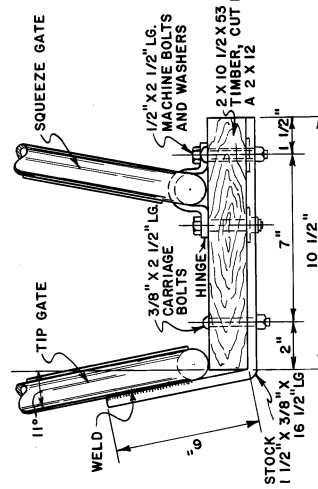
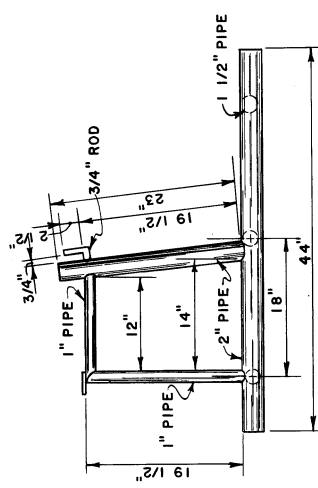
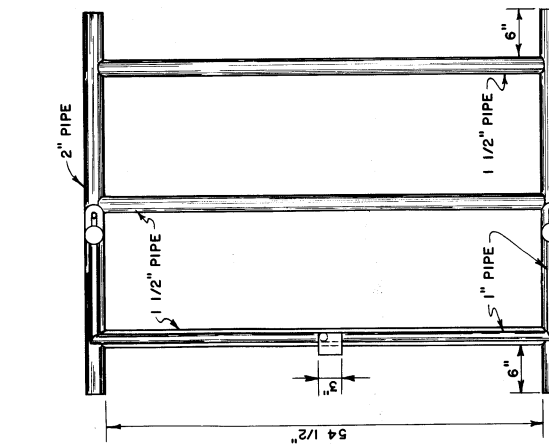
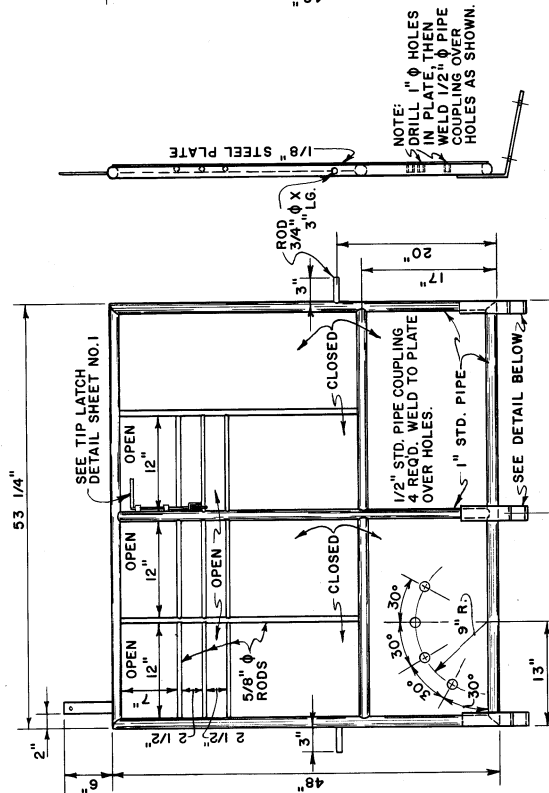
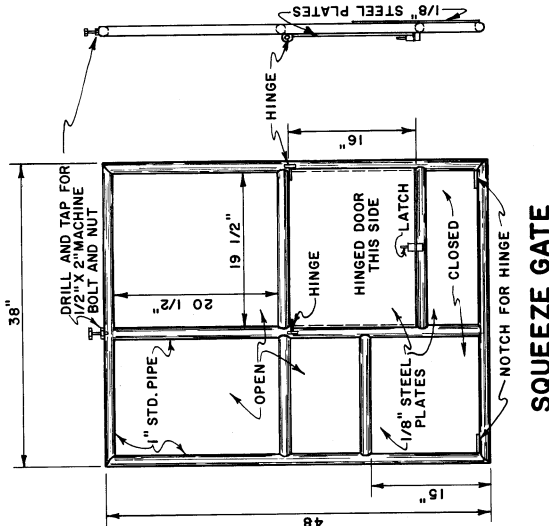
DETAIL OF TIP LATCH
(ONE REQUIRED)

COOPERATIVE EXTENSION WORK IN
AGRICULTURE AND HOME ECONOMICS

STATE OF TENNESSEE
UNIVERSITY OF TENNESSEE
UNITED STATES DEPARTMENT OF AGRICULTURE COOPERATING

TILTING CALF TABLE
PIPE FRAME

USDA '64 EX. 5969 SHEET 1 OF 2



COOPERATIVE EXTENSION WORK IN AGRICULTURE AND HOME ECONOMICS

STATE OF TENNESSEE

UNIVERSITY OF TENNESSEE
UNITED STATES DEPARTMENT OF AGRICULTURE COOPERATING

TILTING CALF TABLE
PIPE FRAME

USDA '64 EX. 5969 SHEET 2 OF 2

BASED ON OREGON PLAN 64