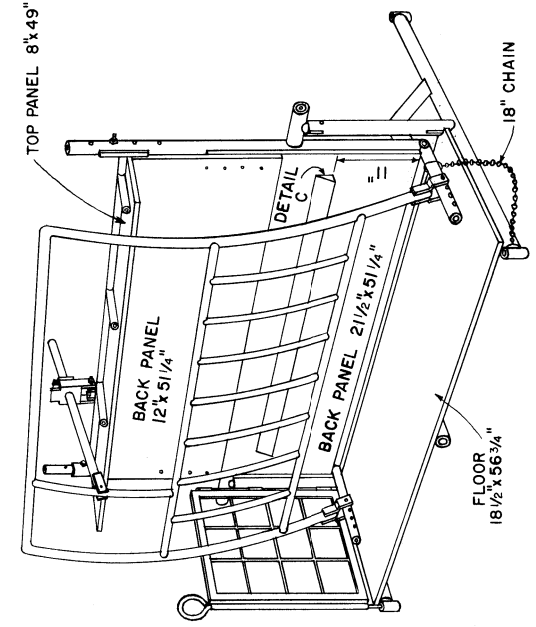


SQUEEZE PANEL
ALL 1/2" PIPE EXCEPT AS NOTED



PERSPECTIVE

COOPERATIVE EXTENSION WORK IN
AGRICULTURE AND HOME ECONOMICS

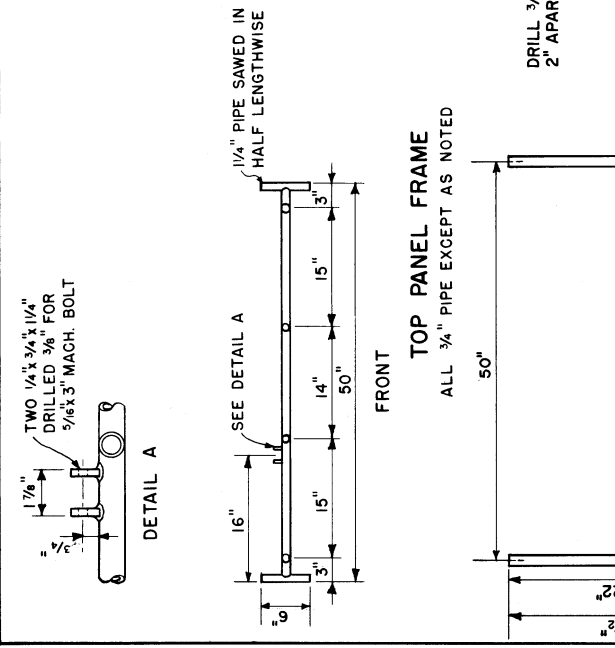
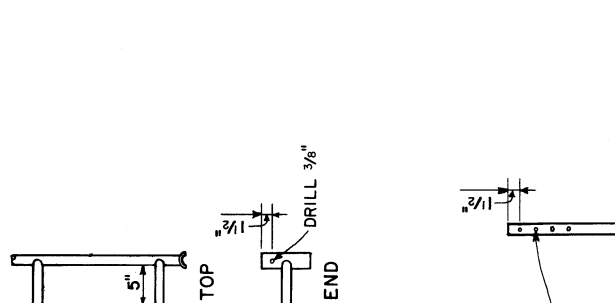
STATE OF TENNESSEE

UNIVERSITY OF TENNESSEE

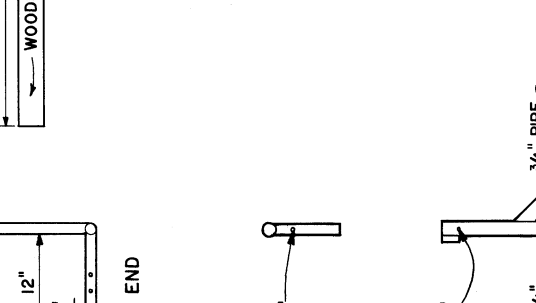
UNITED STATES DEPARTMENT OF AGRICULTURE COOPERATING

TILTING SQUEEZE FOR SHEEP

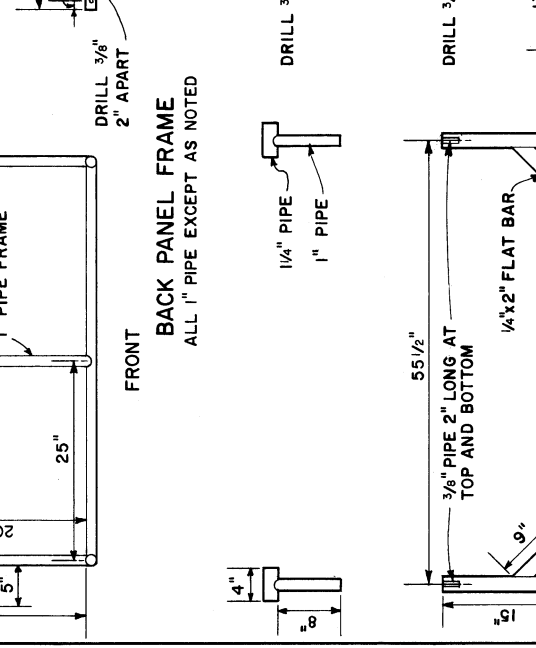
ORE. '67 EX. 6006 SHEET 1 OF 1



TOP PANEL FRAME
ALL 3/4" PIPE EXCEPT AS NOTED



BACK PANEL FRAME
ALL 1" PIPE EXCEPT AS NOTED



BASE FRAME
ALL 1 1/4" PIPE EXCEPT AS NOTED



PANELS AND FLOOR ARE 1/2" EXTERIOR PLYWOOD,
FASTENED WITH 1/4" CARRIAGE BOLTS
USE 5/16" MACHINE BOLTS IN 3/8" HOLES

NOTE: ALL PIPES ARE STANDARD SIZE
ALL JOINTS ARE WELDED

REVISED APRIL '70