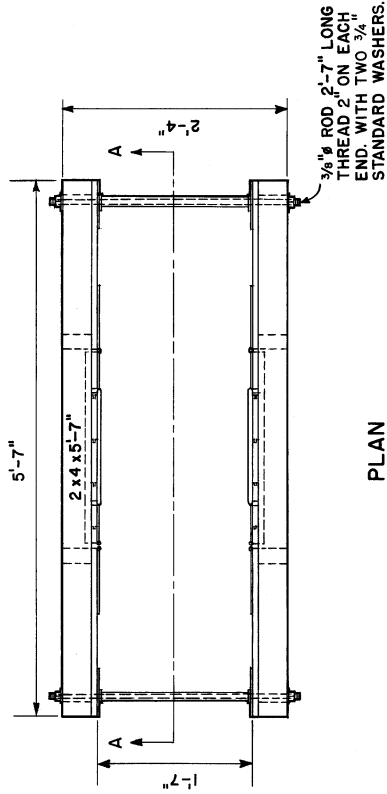
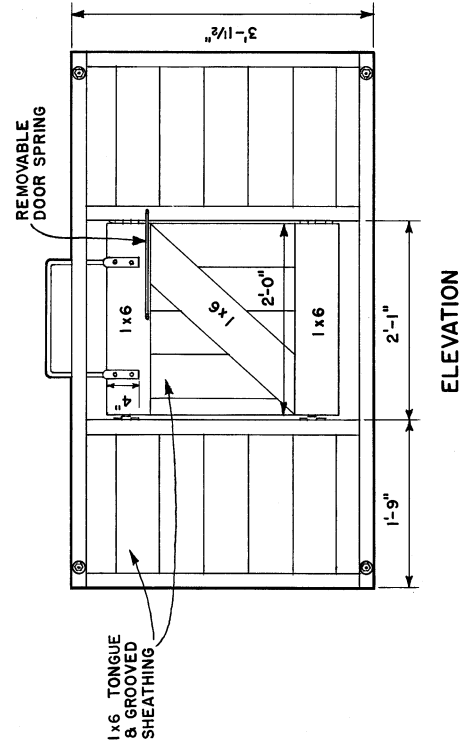


6"x2"x³/₁₆" FLAT CORNER BRACKET, WELDED TO END OF STANDARD PIPE.

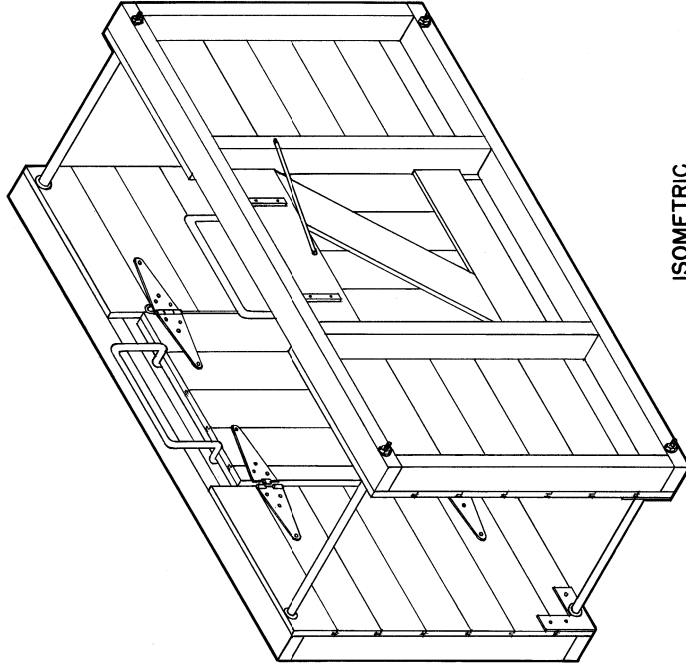
SECTION A-A



PLAN

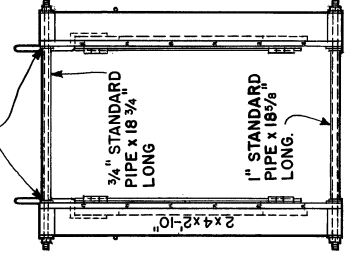


ELEVATION



ISOMETRIC

³/₈" STANDARD WASHERS, WELDED TO ENDS OF ³/₄" STANDARD PIPE.



END ELEVATION

NOTE: (FOR BOTH DOORS)
DOOR SPRING AND HINGE PIN ROD CAN BE MOVED TO OTHER EDGE OF DOOR TO REVERSE DIRECTION

COOPERATIVE EXTENSION WORK IN
AGRICULTURE AND HOME ECONOMICS
STATE OF TENNESSEE
UNIVERSITY OF TENNESSEE
UNITED STATES DEPARTMENT OF AGRICULTURE COOPERATING

CUTTING GATES FOR SHEEP
THREE-WAY

MONT. & ORE. '68 EX. 6058 SHEET 1 OF 1
MONTANA STATE COLLEGE NO. 506-1
OREGON STATE UNIVERSITY B.P. 35