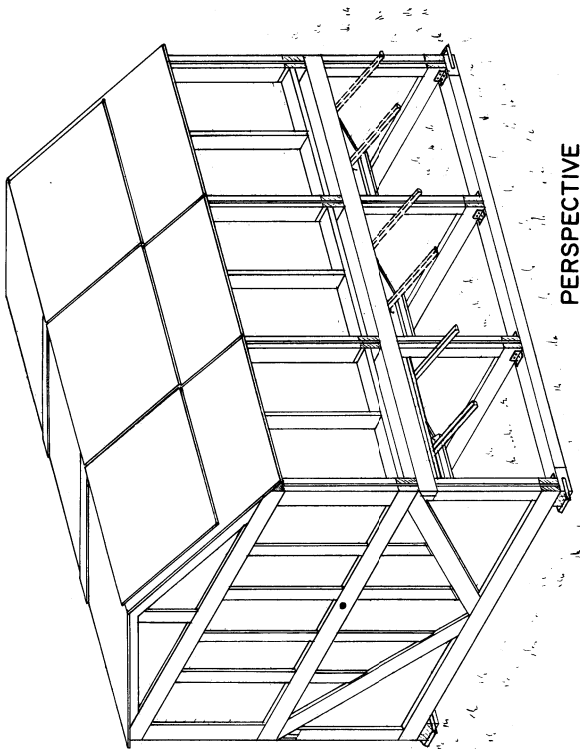


**TYPICAL CROSS SECTION**

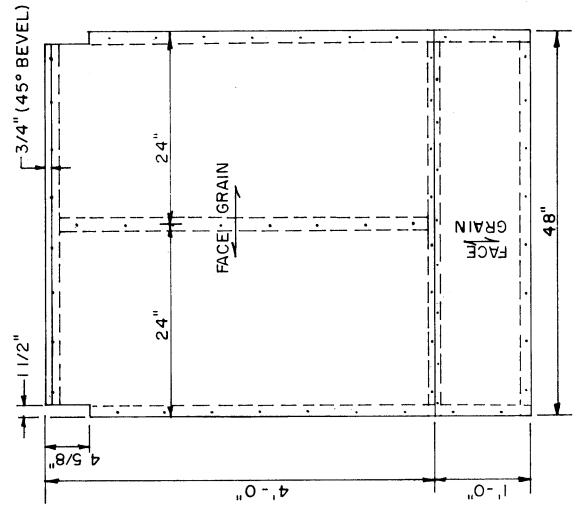
ALL PLYWOOD IS EXTERIOR-TYPE (EXT-DFPA) ROOF AND ROOF DOOR PLYWOOD IS 1/2" THICK ALL OTHER PLYWOOD IS 3/4" THICK.

**NOTES:**

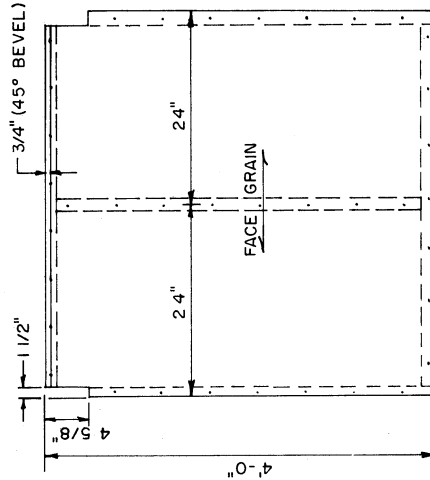
- ALL FASTENERS SHOULD BE CORROSION RESISTANT OR STAINLESS STEEL.
- NAILS: USE 8d NAILS 6" O.C. WHEN NAILING PLYWOOD TO SUPPORTS, ON ENDS OF BINS, 16d @ 6" O.C. (BULKHEADS) RODS
- BULKHEADS ARE TIED TOGETHER WITH 1/2" RODS
- THE BIN MAY BE USED ON ANY SUPPORT SYSTEM SUCH AS PIER FOOTINGS, WELL BRACED LEGS OR LOW WALLS WITH FOOTINGS.
- EACH OF THE COMPARTMENTS HOLDS 5 TONS OF 60 PCF FERTILIZER
- THIS SHEET SHOWS A THREE COMPARTMENT BIN FOR BINS WITH MORE OR LESS, THE LENGTHS OF SKIDS AND SIDE MEMBERS SHOULD BE ADJUSTED.



**PERSPECTIVE**



**BIN FLOOR DETAIL  
CLOSED SIDE**



**BIN FLOOR DETAIL  
DOOR OPENING SIDE**

Department of Agricultural Engineering  
Agricultural Extension Service  
University of Tennessee  
Knoxville, Tennessee

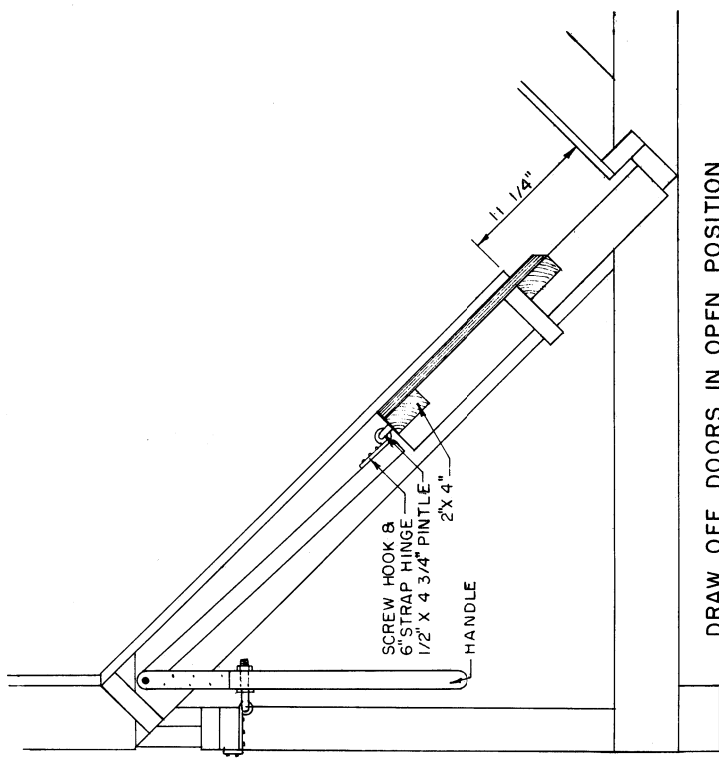
COOPERATIVE EXTENSION WORK IN  
AGRICULTURE AND HOME ECONOMICS  
STATE OF TENNESSEE  
UNIVERSITY OF TENNESSEE  
UNITED STATES DEPARTMENT OF AGRICULTURE COOPERATING

**TRANSPORTABLE STORAGE BIN  
FOR FERTILIZER IN BULK**

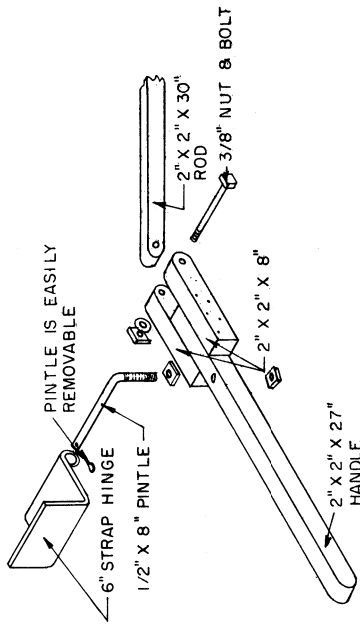
APA '69 6072 SHEET 1 OF 3

DESIGNED BY:  
AMERICAN PLYWOOD ASSOCIATION  
TACOMA, WASHINGTON



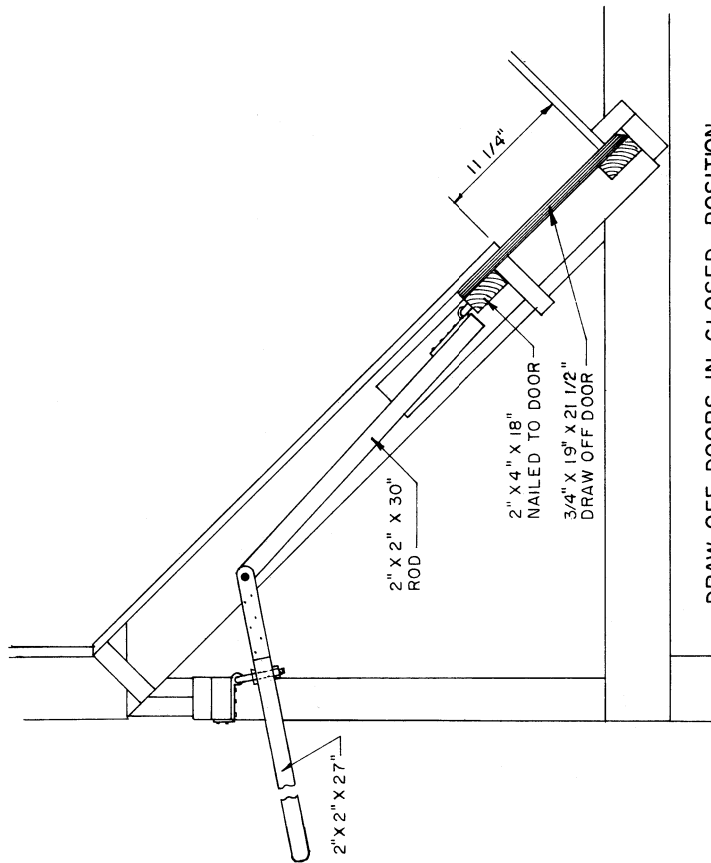


DRAW OFF DOORS IN OPEN POSITION

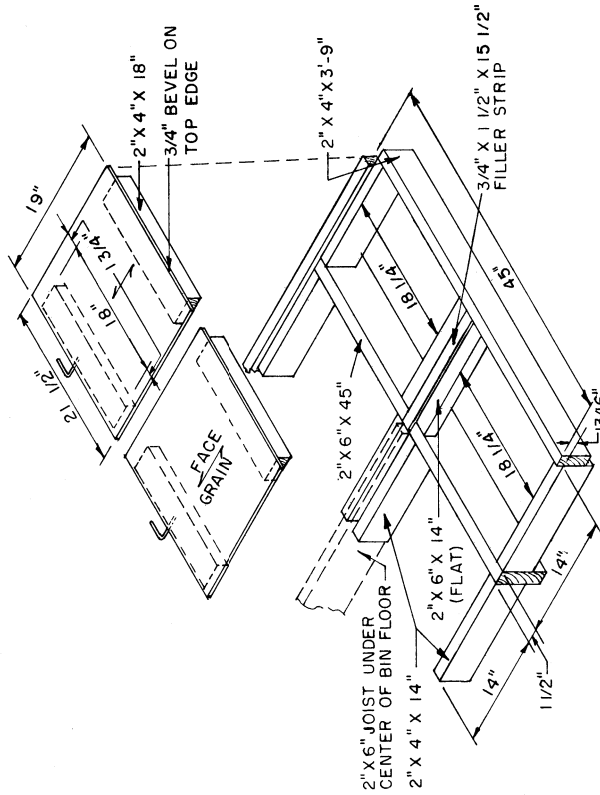


HANDLE AND ROD ASSEMBLY FOR DRAW OFF DOORS

NOTES:  
HANDLE AND ROD ASSEMBLY IS INTENDED FOR EASY REMOVAL AND ONE OR TWO MAY BE ALL THAT IS REQUIRED FOR MULTIPLE UNITS



DRAW OFF DOORS IN CLOSED POSITION



DRAW OFF DOORS AND FRAMING SUPPORTS

COOPERATIVE EXTENSION WORK IN AGRICULTURE AND HOME ECONOMICS	
STATE OF TENNESSEE	
UNIVERSITY OF TENNESSEE	
UNITED STATES DEPARTMENT OF AGRICULTURE COOPERATING	
TRANSPORTABLE STORAGE BIN FOR FERTILIZER IN BULK	
APA '69	6072
SHEET 3 OF 3	

Department of Agricultural Engineering  
Agricultural Extension Service  
University of Tennessee  
Knoxville, Tennessee