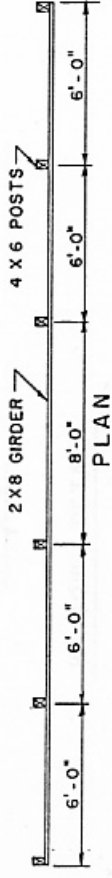
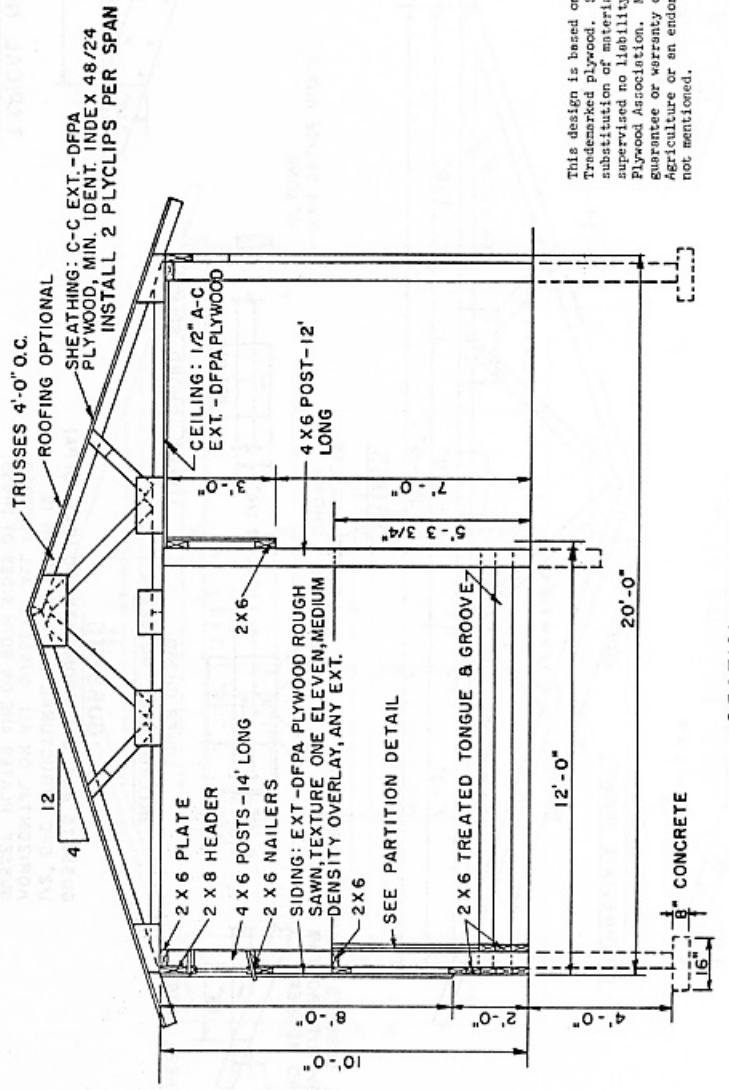


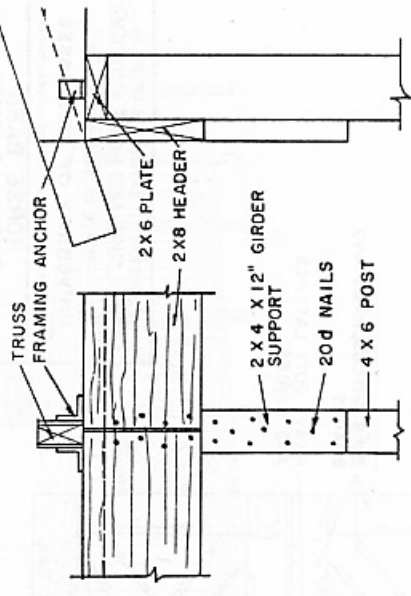
COVERED WALKWAY



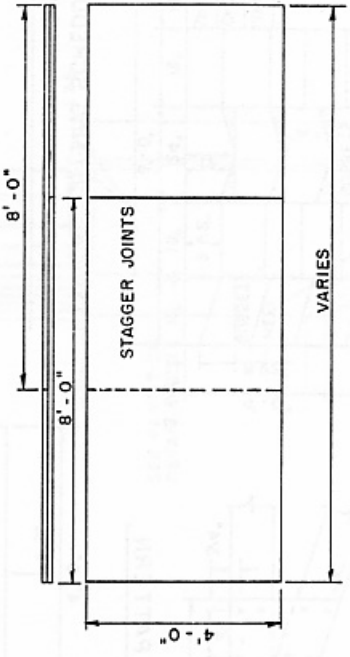
PLAN



SECTION THRU DOOR



GIRDER DETAIL



PARTITIONS & INNER WALL LINER  
5/8" C-C EXT -DFPA PLYWOOD, FASTEN PANELS TOGETHER WITH PANEL ADHESIVE AND NO. 10 WOOD SCREWS 1" LONG, THREE ROWS SPACED 12" O.C. IN EACH ROW.

NOTE:  
CONSULT LOCAL HEALTH AUTHORITIES BEFORE STARTING CONSTRUCTION TO BE SURE THAT THE PLAN CONFORMS WITH LOCAL CODES AND REGULATIONS

This design is based on the use of American Plywood Association Grade-1 Trademarked Plywood. Structural deficiencies may result with the substitution of other materials. Because erection of the structure cannot be supervised or liability can be assumed by the designer or the American Plywood Association. Mention of a trade name does not constitute a guarantee or warranty of the product by the U.S. Department of Agriculture or an endorsement by the department over other products not mentioned.

COOPERATIVE EXTENSION WORK IN AGRICULTURE AND HOME ECONOMICS  
STATE OF TENNESSEE  
UNIVERSITY OF TENNESSEE  
UNITED STATES DEPARTMENT OF AGRICULTURE COOPERATING

APA '71 6118 SHEET 1 OF 3

HORSE BARN  
2 STALL PLYWOOD

**TRUSS SPECIFICATION**

**LUMBER:**

UPPER CHORD 2 X 4 — 1500F LUMBER  
 LOWER CHORD 2 X 4 — 1200F LUMBER

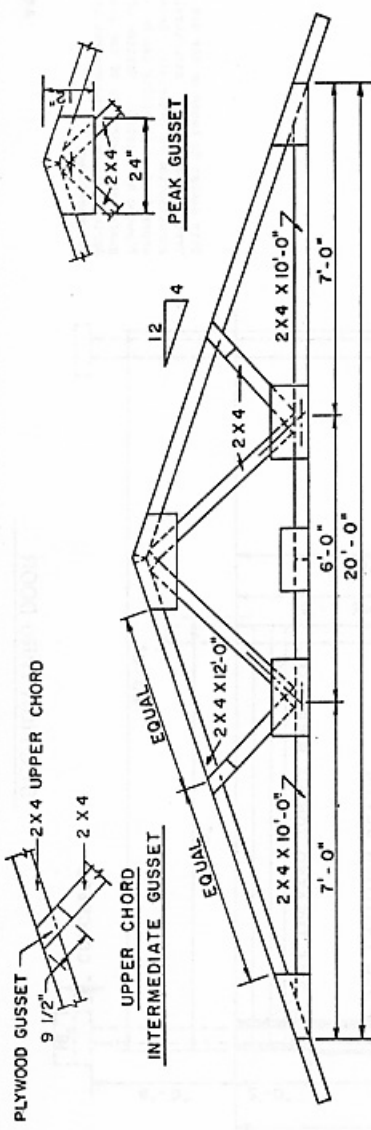
WEB 2 X 4 CONSTRUCTION GRADE DOUGLAS FIR,  
 LARCH, HEMLOCK OR NO. 2 SOUTHERN PINE

**GLUE:**

RESORCINOL RESIN TYPE

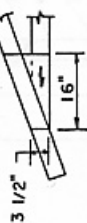
**NAILS:**

6d SPACED 4" O.C. TWO ROWS FOR 2 X 4 MEMBERS



**TRUSS**

HEEL GUSSETS SHOULD BE FABRICATED  
 FLUSH WITH BOTTOM EDGE OF  
 CHORD MEMBER



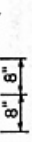
**HEEL GUSSET**

LOCATE GUSSETS  
 AS SHOWN

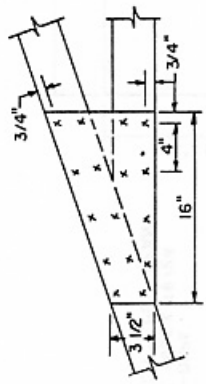


**LOWER CHORD  
 SPLICE**

2 X 4 SPLICE BLOCK  
 16" LONG



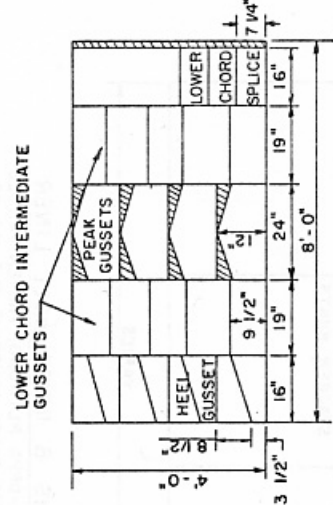
**LOWER CHORD  
 SPLICE**



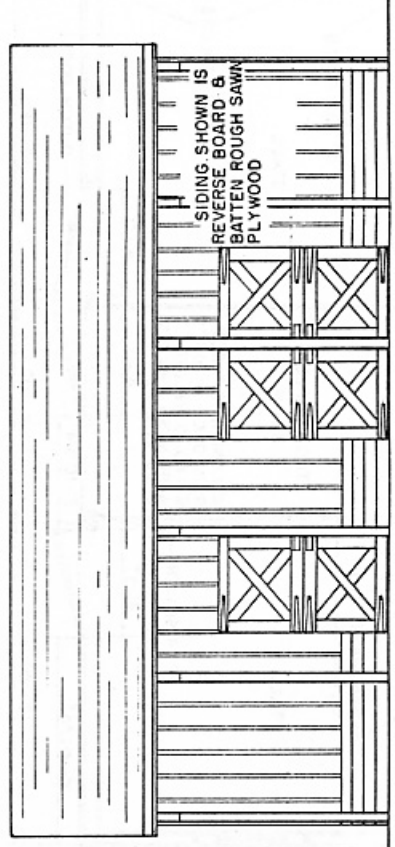
**TYPICAL NAIL PATTERN**

**GUSSETS**

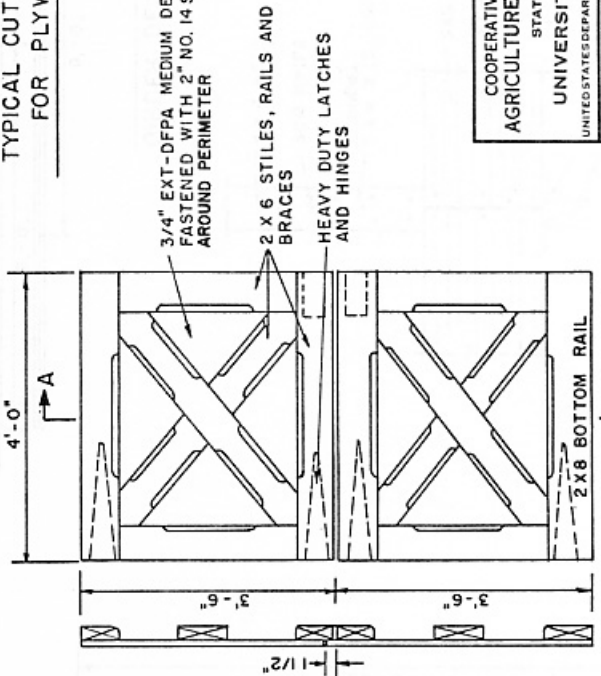
GUSSETS ARE CUT FROM PLYWOOD (EXT.-DFPA)  
 1/2" C-C STRUCTURAL I. FACE GRAIN IS  
 HORIZONTAL ON ALL GUSSETS. ALL PLYWOOD  
 GUSSET PLATES ARE ON BOTH SIDES OF TRUSS.



**TYPICAL CUTTING SCHEDULE  
 FOR PLYWOOD GUSSETS**



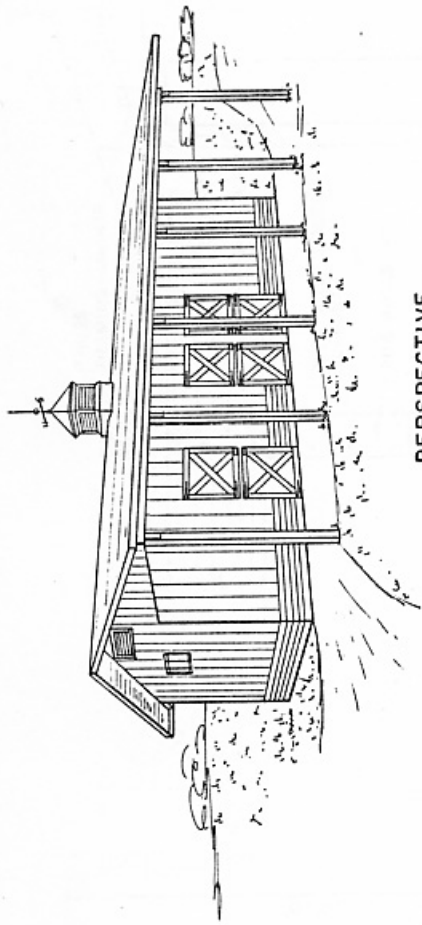
**SIDE ELEVATION**



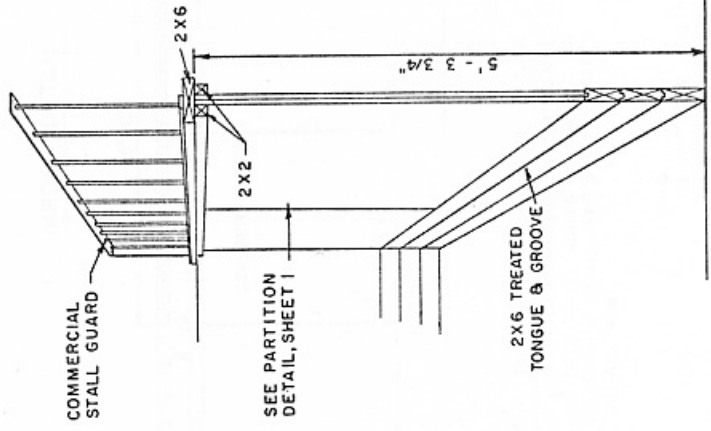
**STALL DOOR DETAILS**

COOPERATIVE EXTENSION WORK IN  
 AGRICULTURE AND HOME ECONOMICS  
 STATE OF TENNESSEE  
 UNIVERSITY OF TENNESSEE  
 UNITED STATES DEPARTMENT OF AGRICULTURE COOPERATING

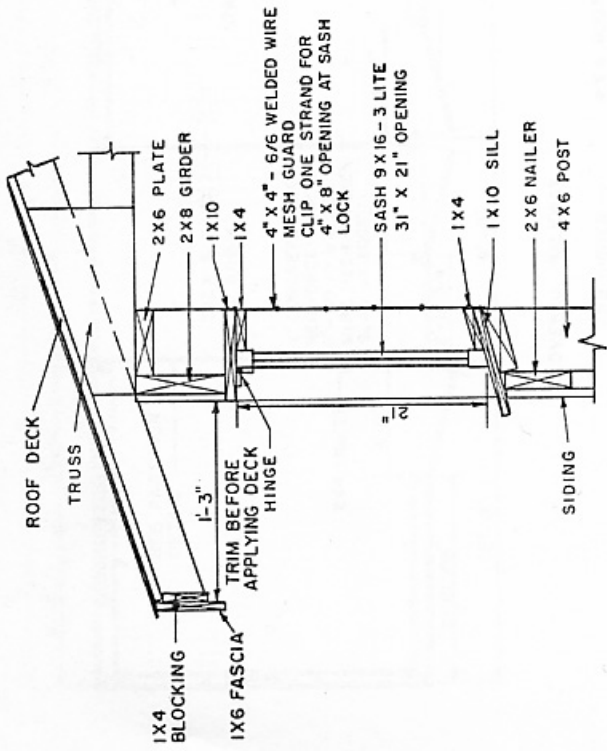
**HORSE BARN**  
 2 STALL PLYWOOD  
 APA '71 6118 SHEET 2 OF 3



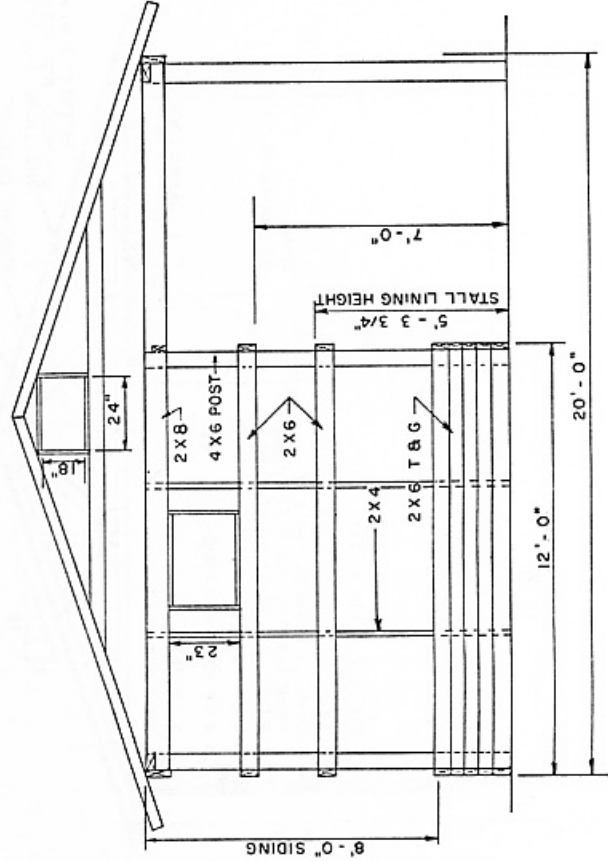
PERSPECTIVE



STALL PARTITION DETAIL



WINDOW DETAIL



END FRAMING DETAIL

COOPERATIVE EXTENSION WORK IN  
 AGRICULTURE AND HOME ECONOMICS  
 STATE OF TENNESSEE  
 UNIVERSITY OF TENNESSEE  
 AND  
 UNITED STATES DEPARTMENT OF AGRICULTURE COOPERATING

**HORSE BARN**  
**2 STALL PLYWOOD**

APA '71 **6118** SHEET 3 OF 3