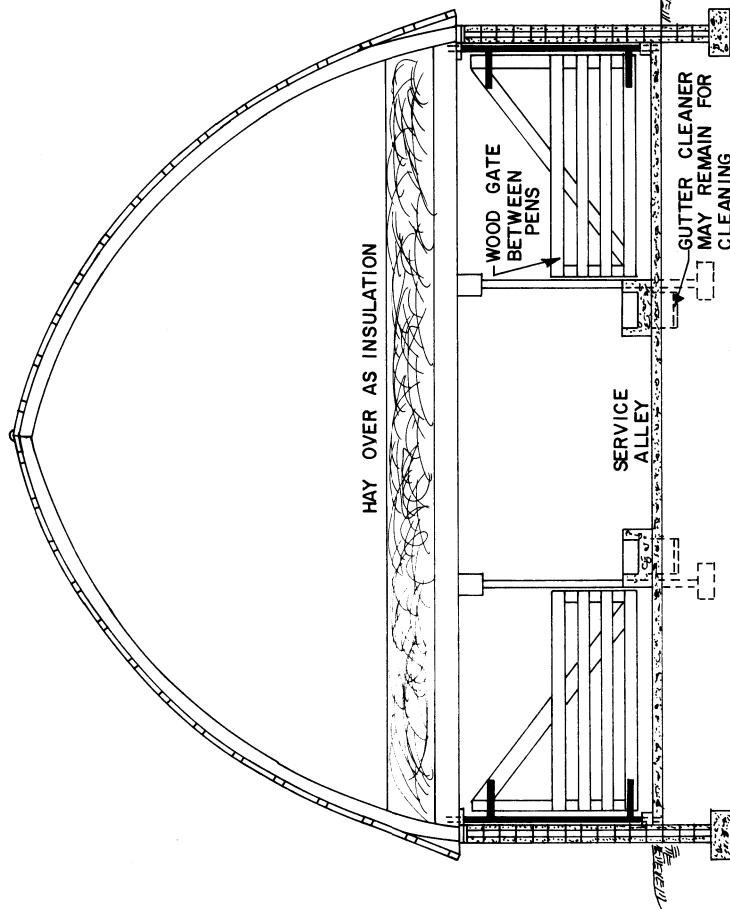
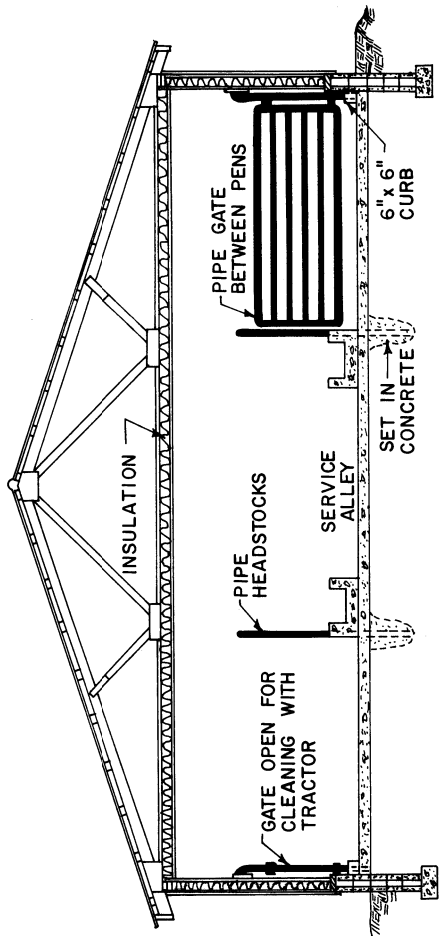


PLAN



**TWO STORY REMODELED STALL
DAIRY BARN**

1. CONCRETE WALLS ARE POOR INSULATION. KEEP TEMPERATURES LOW OR ADD INSULATION.
2. VENTILATE WITH EXHAUST FANS.
3. PROVIDE AIR INLET SLOT.
4. PROVIDE END DOORS FOR TRACTOR CLEANING. USE GUTTER CLEANER FOR SEMI-MANUAL CLEANING.
5. GATES AND HEADSTOCKS MAY BE WOOD OR STEEL.



ONE STORY INSULATED BARN

1. INSULATE: 3 1/2" IN WALLS, UP TO 6" IN CEILING.
2. VENTILATE WITH EXHAUST FANS WITH OR WITHOUT AUXILIARY HEAT.
3. INLETS MAY BE CEILING SLOTS OR PLASTIC TUBE POWER INLETS.
4. HEAT WILL BE NEEDED FOR TEMPERATURES ABOVE 50°F IN WINTER.
5. BARN MAY BE KEPT COLD WITH NO INSULATION. USE OPEN EAVES AND RIDGE VENT, 4 IN 12 SLOPE.