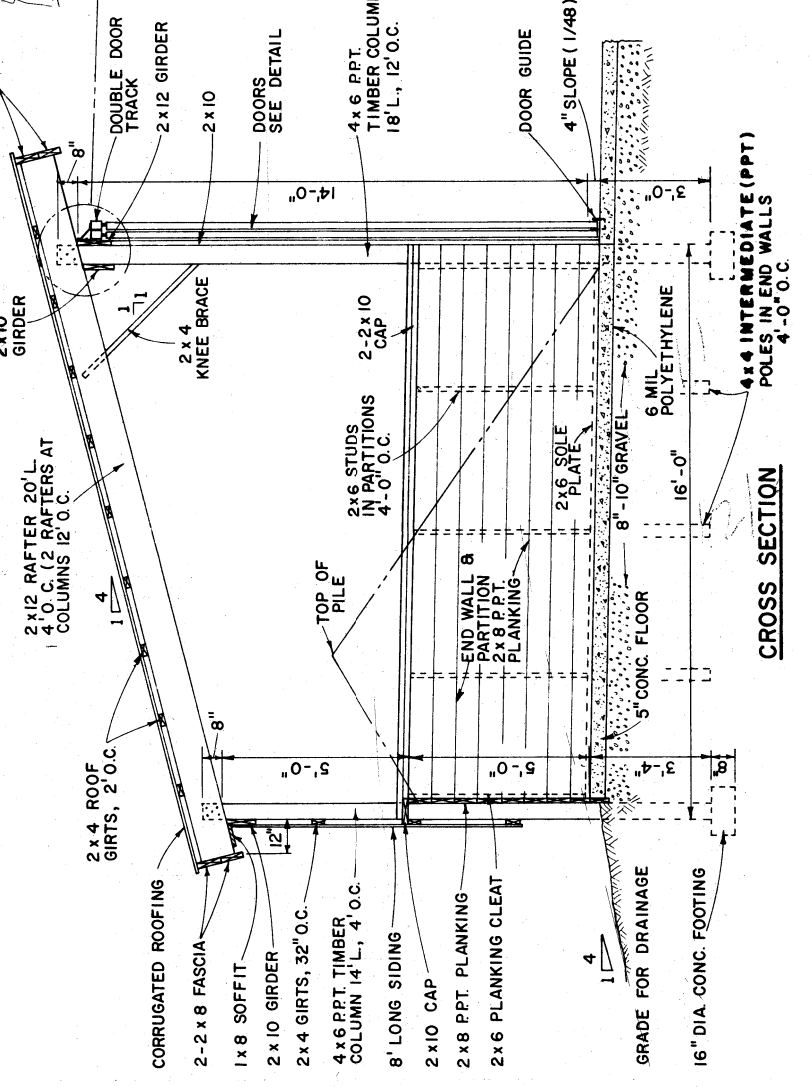
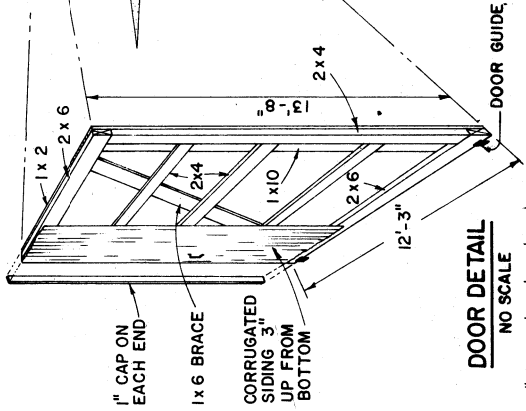
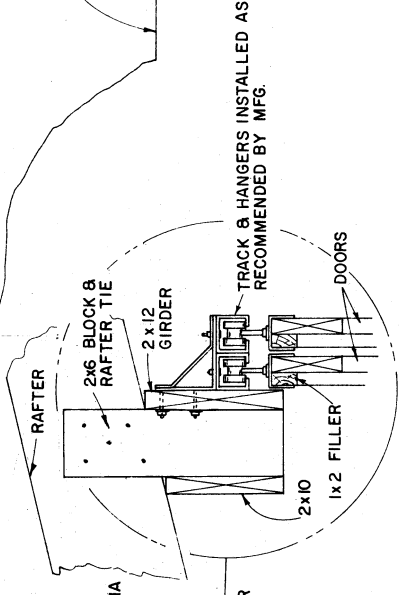
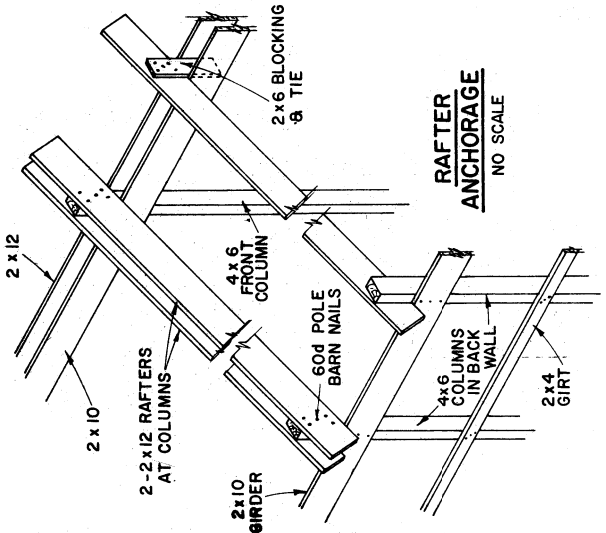


- NOTE:**
1. CAPACITY-FERTILIZER APPROX. 2 TONS/FT. OF LENGTH
  2. ROOF LOAD DESIGNED FOR 30 P.S.F.
  3. LUMBER STRESS -  $f = 1200$  P.S.I.
  4. CHECK DUMPING OR FILLING HEIGHT BEFORE STARTING CONSTRUCTION.
  5. (PPT) PRESERVATIVE PRESSURE-TREATED 2-2x8 FASCIA

**ANCHORAGE**

NO SCALE



BASED ON: CORNELL UNIV. PL. 841  
 COOPERATIVE EXTENSION WORK IN  
 AGRICULTURE AND HOME ECONOMICS  
 STATE OF TENNESSEE  
 UNIVERSITY OF TENNESSEE  
 UNITED STATES DEPARTMENT OF AGRICULTURE COOPERATING

**BULK STORAGE SHED**

N.Y. '73 EX. 6176 SHEET 1 OF 1