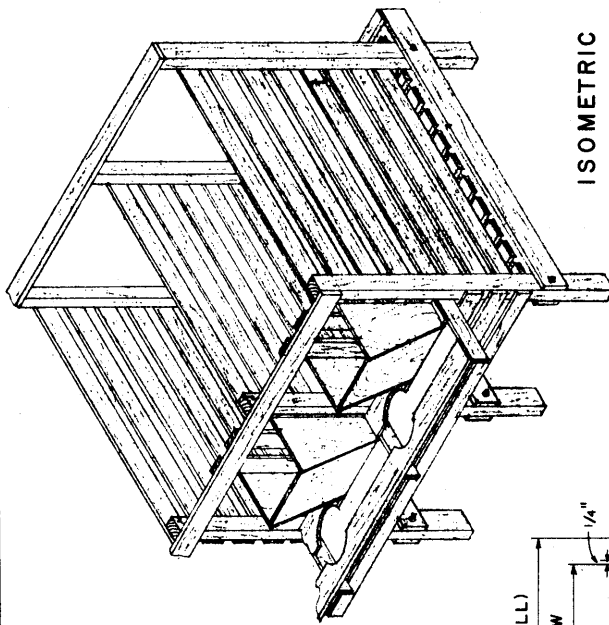


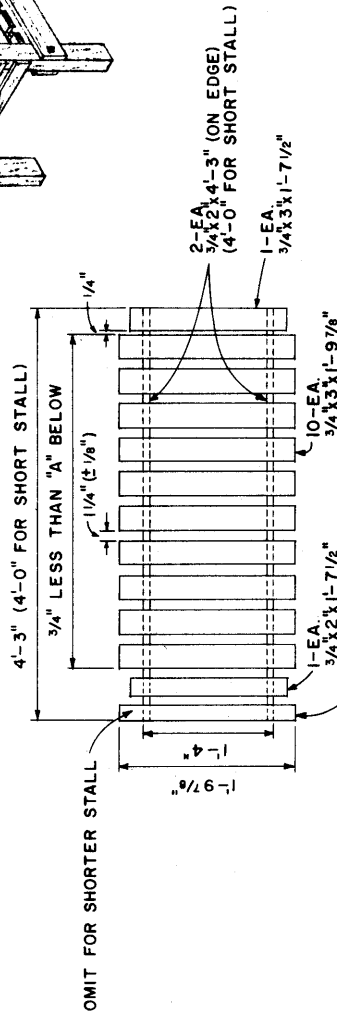
LIST OF MATERIALS
(All Sound Quality Planed Hardwood Lumber Having Good Resistance to Decay.)

SIZE*	LENGTH	QUANTITY	SIZE*	LENGTH	QUANTITY
3/4" x 2"	19 1/2"	1 per Stall	2" x 3"	4'-3"	1 per Stall
"	21 7/8"	1 per Stall	3/4" x 2"	4'-0"	1 per Stall
3/4" x 3"	4'-3"	2 per Stall	3/4" x 3"	12'	5 per 6 Stalls
"	19 1/2"	1 per Stall	3/4" x 4"	12'	2 per 6 Stalls
"	21 7/8"	10 per Stall	1/2" ply. or		1 per Stall
"	27"	2 per Stall	3/4" Bd.	10" x 19"	4 per Stall
4'-0"	5'-0"	7 per Stall	1/2" ply.	12" x 16"	2 per Stall
5'-0"	4'-6"	1 per Stall		(sloped)	
3/4" x 4"	4'-6"	2 per Stall			

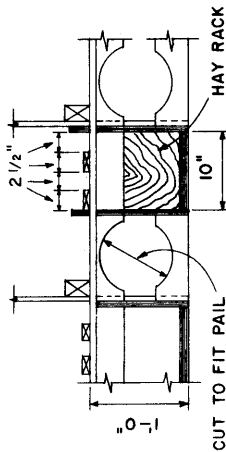
MAILLS: 1 1/2" (Common or Hardened)
1/10 lb. per Stall
2" (Common or Hardened)
1/3 lb. per Stall
BOLTS: 3/8" x 4" Mech. 2 per Stall
WASHERS: 3/8" Flat 4 per Stall
*ALL wood sizes "Actual"
**2'-6" for veal calves to 300 lb.
Only 4'-0" for calves to 200 lb.



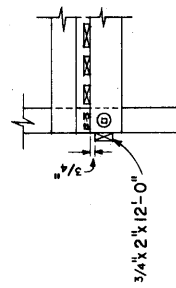
ISOMETRIC



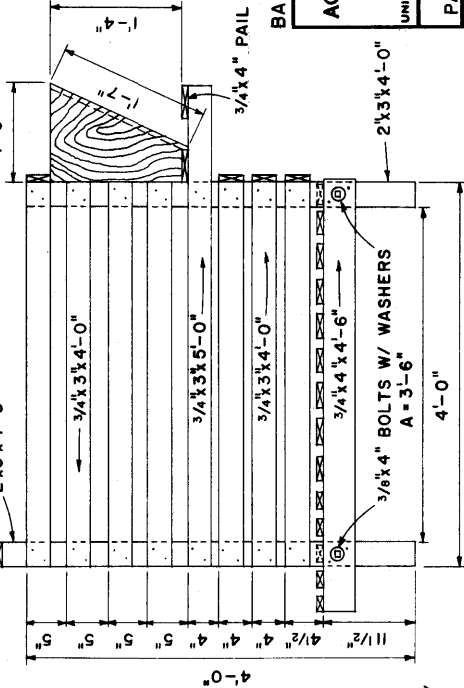
TOP VIEW - REMOVABLE BOTTOM



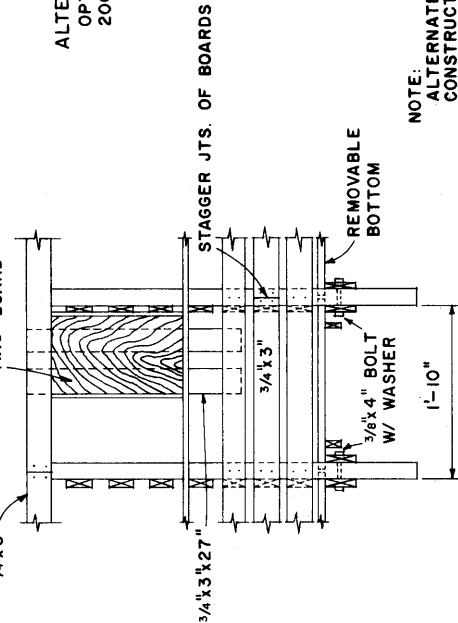
TOP VIEW



ALTERNATE SHORT STALL
OPTIONAL FOR CALVES TO
200# OR 8 WEEKS OLD.



FRONT VIEW



NOTE:
ALTERNATE FLOOR CAN BE SPECIALLY
CONSTRUCTED:
METAL ROD FLOOR (3/8" RODS, 1" O.C.)
WELDED TO 1/4"x1" METAL STRAP ON
EDGE OR 1" SQ. METAL TUBING.

NOTE:
CONSULT LOCAL HEALTH AND
BUILDING CODE AUTHORITIES
BEFORE STARTING CONSTRUCTION.

Mention of these firms does
not constitute an endorsement
by the Department of either
their products or prices. No
discrimination is intended,
and no guarantee of reliability
is implied.

SCALE: 1" = 1'-0" UNLESS
OTHERWISE NOTED
12" 9" 6" 3" 0"

BASED ON: UNIV. OF KY. PLAN II, 772-34
COOPERATIVE EXTENSION WORK IN
AGRICULTURE AND HOME ECONOMICS
STATE OF TENNESSEE
UNIVERSITY OF TENNESSEE
AND
UNITED STATES DEPARTMENT OF AGRICULTURE COOPERATING
ELEVATED CALF STALL
PAIL, HAY AND GRAIN FEEDING
KY. '75 6 199 SHEET 1 OF 1