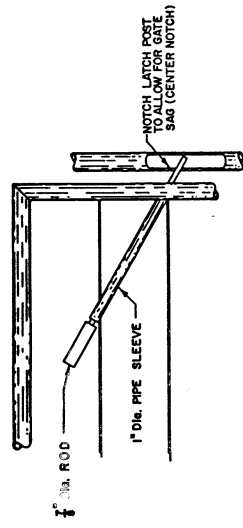
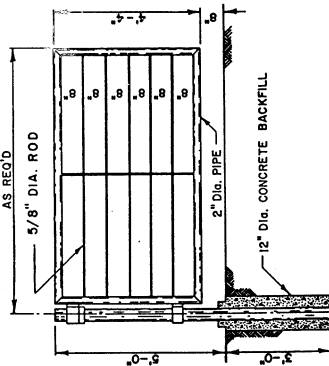
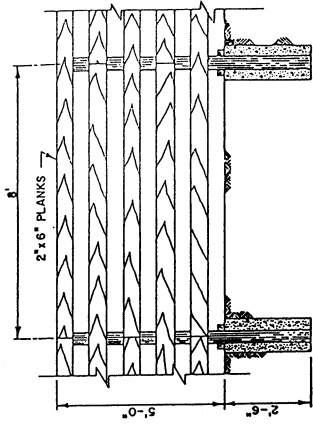
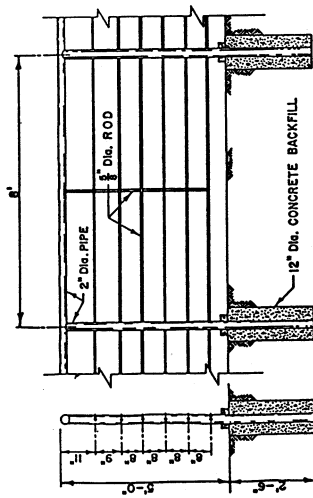


NOTE:

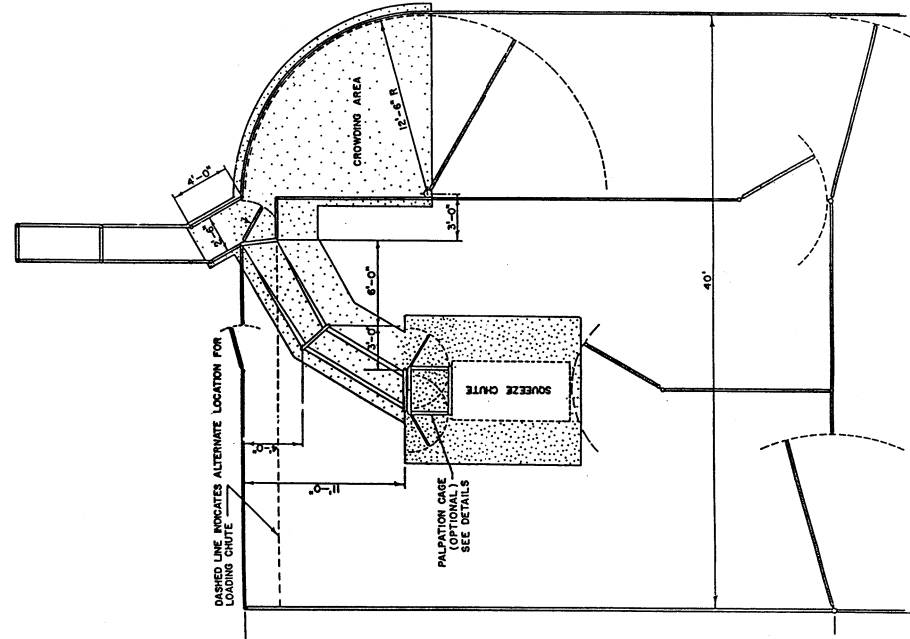
1. USE PRESSURE PRESERVATIVE TREATED POSTS WITH A MINIMUM TOP DIAMETER OF 4".
2. FASTEN PLANKS TO POSTS WITH 3 RING OR SCREW SHANK NAILS, STAGGERED TO AVOID SPLITTING THE PLANK.



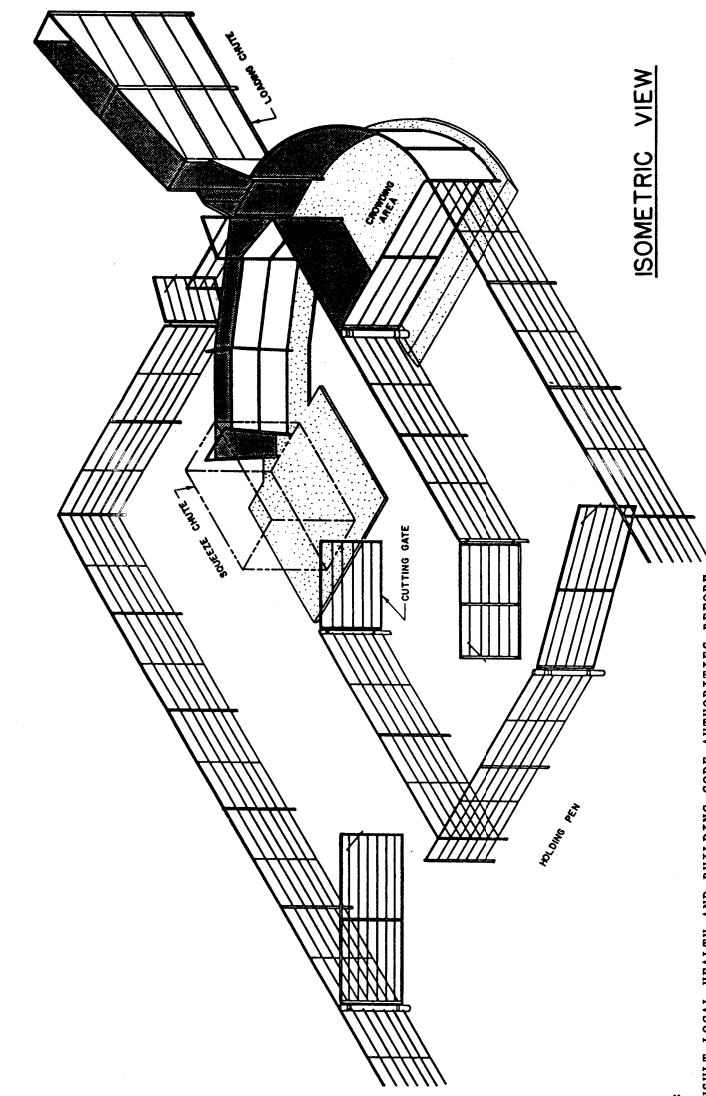
TYPICAL GATE LATCH

TYPICAL FENCE DETAILS

TYPICAL GATE DETAILS



PLAN VIEW



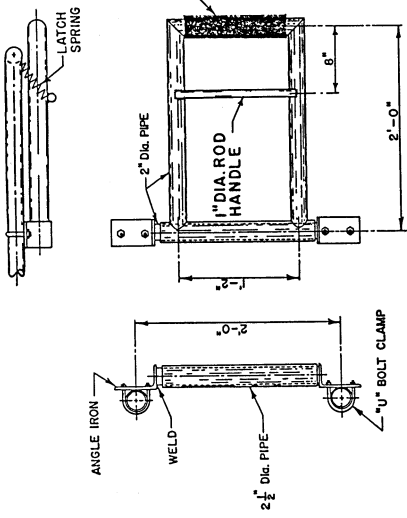
ISOMETRIC VIEW

NOTES:

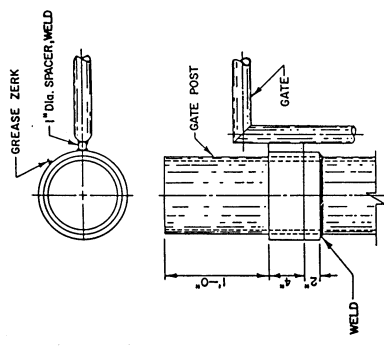
1. CONSULT LOCAL HEALTH AND BUILDING CODE AUTHORITIES BEFORE STARTING CONSTRUCTION.
2. BEGIN CONSTRUCTION WITH PLACEMENT OF CROWDING GATE POST. THE REMAINDER OF WORKING FACILITY IS LAID OUT FROM THIS POINT.
3. PLACE CONCRETE OVER WELL-DRAINED, UNDISTURBED SOIL, TAMED SOIL OR GRAVEL FILL. ALL SURFACE ORGANIC MATTER, MANURE, TRASH AND SOFT SOIL SHOULD BE REMOVED.
4. USE 6x6 No. 10 HW MESH WITH CONCRETE PLACED OVER SOFT OR SPONGY SOIL.
5. SLOPE CROWDING AREA FLOOR 1/4" PER FOOT TO OUTSIDE FOR DRAINAGE.
6. PROVIDE A ROUGH CONCRETE FINISH TO INSURE STABLE FOOTING FOR ANIMALS.
7. ALL SHEET STEEL MOUNTED INSIDE OF POSTS.

DRAWINGS NOT TO SCALE

COOPERATIVE EXTENSION SERVICE AGRICULTURE AND HOME ECONOMICS Agricultural Extension Station University of Tennessee Institute of Agriculture Agricultural Experiment Station AND UNITED STATES DEPARTMENT OF AGRICULTURE COOPERATING	
CORRALS	
WITH WORKING FACILITIES	
OK '75	62.30
SHEET 1 OF 3	
REV '86	



CROWDING GATE LATCH DETAIL

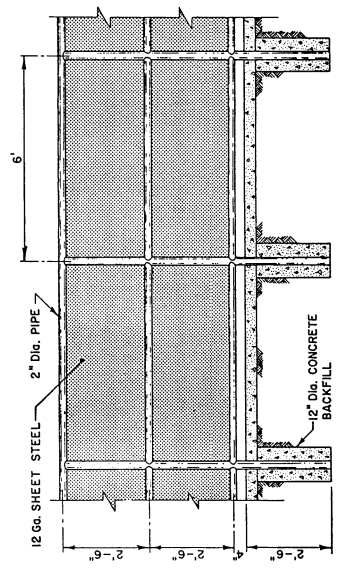


CROWDING GATE HINGE DETAIL

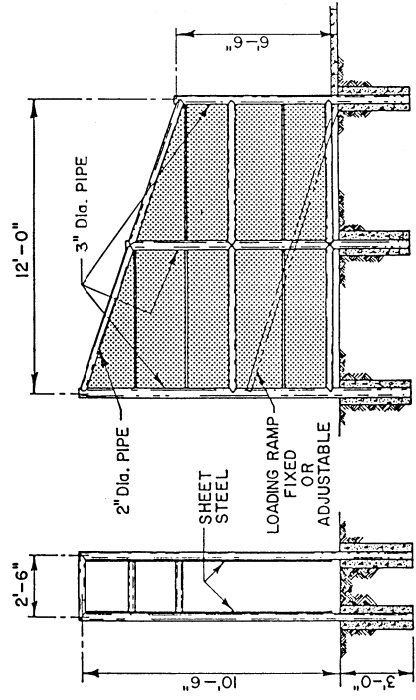
DRAWINGS NOT TO SCALE

COOPERATIVE EXTENSION SERVICE
 AGRICULTURE AND HOME ECONOMICS
 Agricultural Extension Service
 University of Tennessee Institute of Agriculture
 Agricultural Experiment Station
 AND
 UNITED STATES DEPARTMENT OF AGRICULTURE COOPERATING

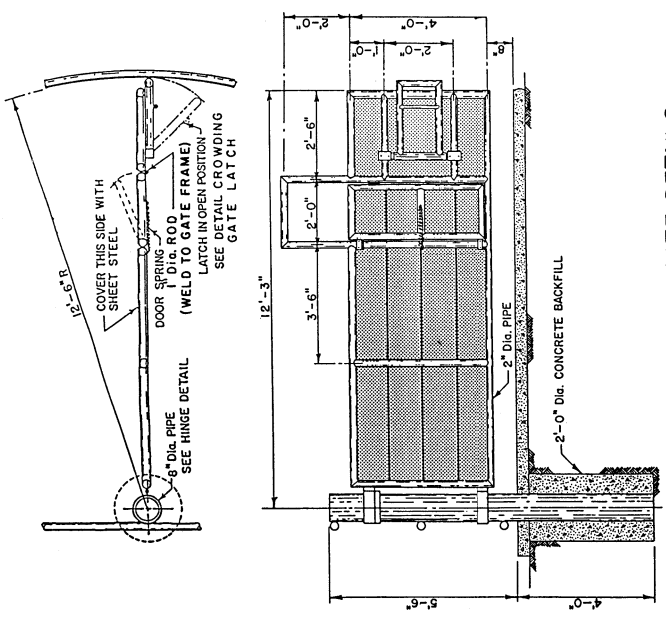
CORRALS
 WITH WORKING FACILITIES
 OK '75 6230 SHEET 2 OF 3
 REV '86



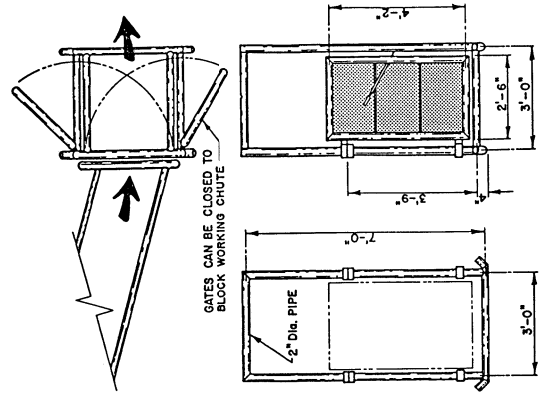
CROWDING AREA FENCE



LOADING CHUTE ELEVATIONS



CROWDING GATE DETAILS



PALPATION CAGE

