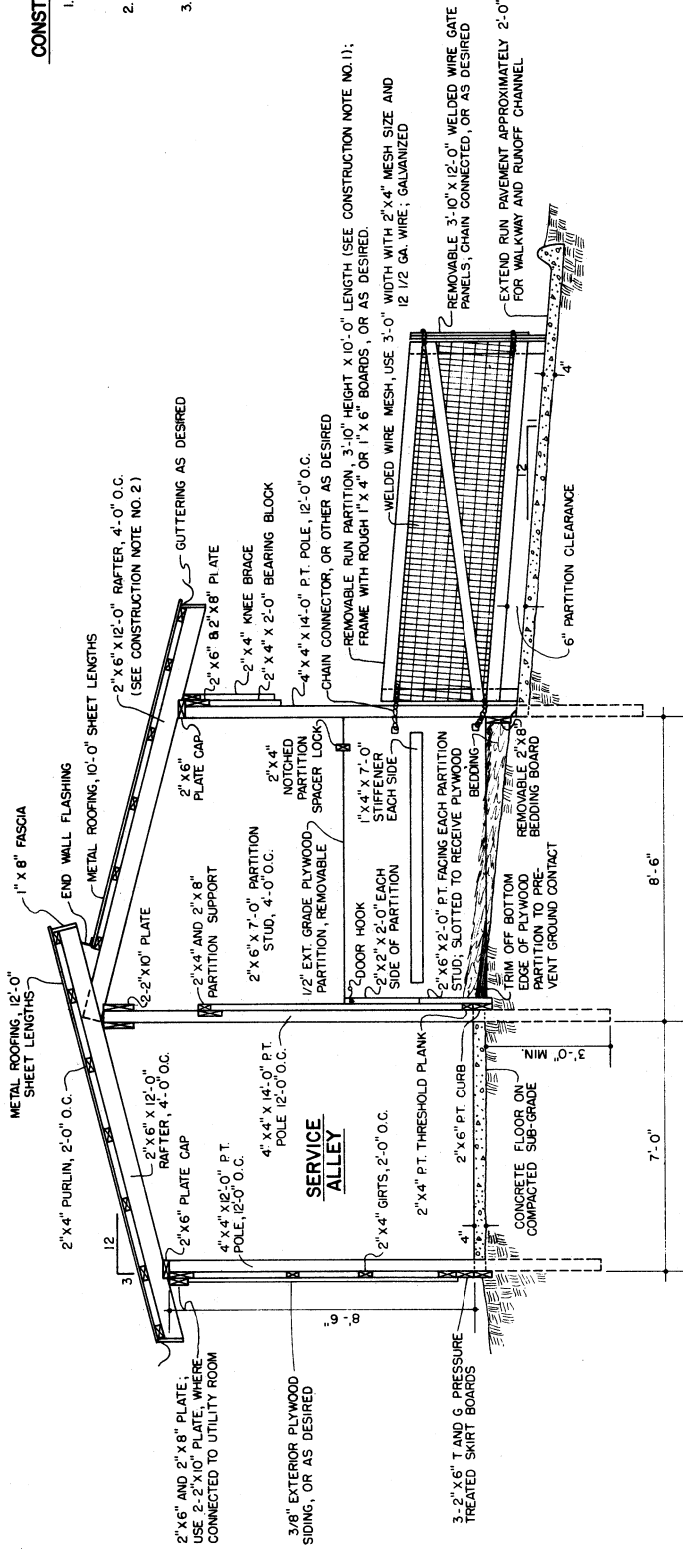


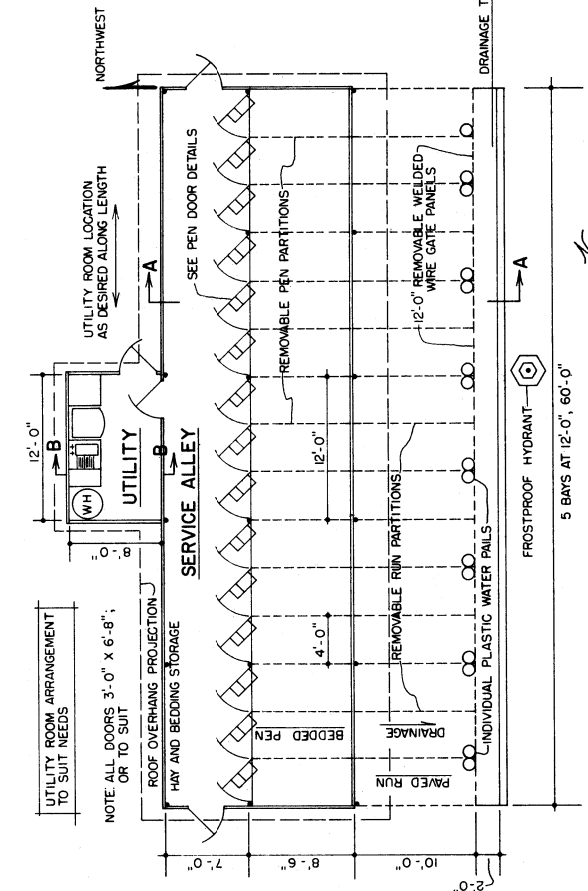
CONSTRUCTION NOTES

1. WIRE RUN PARTITIONS ARE 9'-8" LONG WHERE CONNECTED TO FRONT POLES (6 REQUIRED IN 15-PEN UNIT).
2. USE FRAMING ANCHORS, PLUMBERS STRAP, OR OTHER MEANS TO SECURE RAFTERS AGAINST WIND UPLIFT.
3. UTILITY ROOM SHOULD BE INSULATED AND HEATED; TYPE OF INSULATION AND LINING MATERIALS ARE LEFT TO BUILDERS DISCRETION



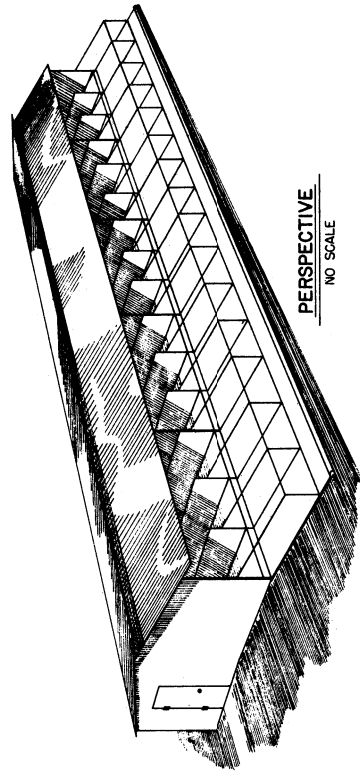
SECTION A-A

12'-6" 0 1' 2'



PLAN

0' 2' 4' 6' 8' 12' 13' 5' 7'



PERSPECTIVE
NO SCALE

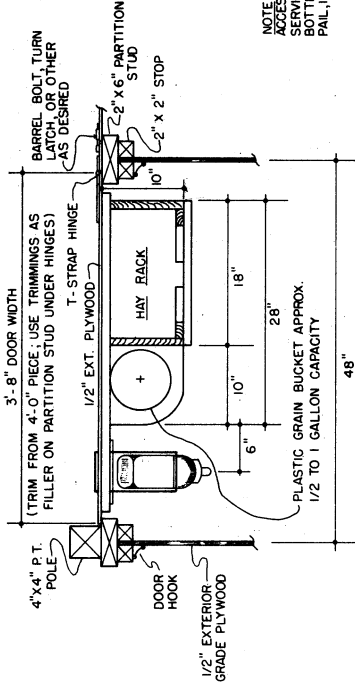
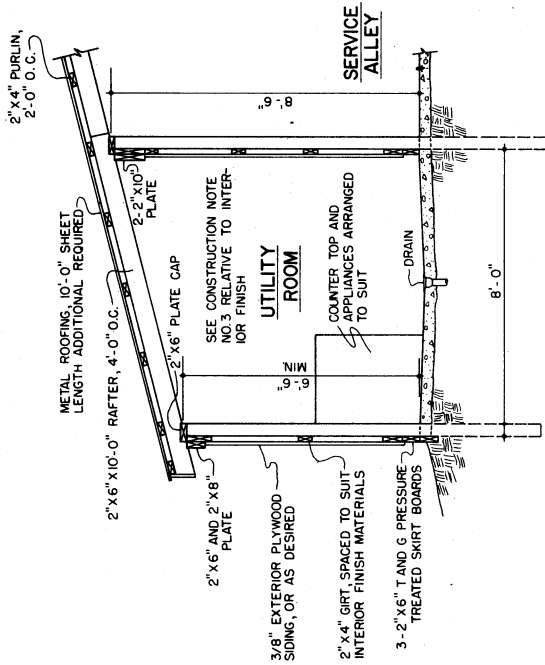
NOTE:
CONSULT LOCAL HEALTH AND BUILDING CODE AUTHORITIES BEFORE STARTING CONSTRUCTION.

COOPERATIVE EXTENSION WORK IN AGRICULTURE AND HOME ECONOMICS
STATE OF TENNESSEE
UNIVERSITY OF TENNESSEE
AND
UNITED STATES DEPARTMENT OF AGRICULTURE COOPERATING

COLD CALF HOUSING
INDIVIDUAL CONFINEMENT

VA '77 6271 SHEET 1 OF 2

BASED ON: VPI 8 SU
PLAN NO. B-7.61



NOTE: CUT HINGED ACCESS PORT TO SERVICE NIPPLE BOTTLE & GRAIN PAIL, IF DESIRED

