

- NOTES:**
- 1) ROOF DESIGN LOAD 40 psf  
MOW FLOOR DESIGN LOAD 70 psf  
LUMBER BENDING STRESS 1500 psi.
  - 2) ALL POST & PLANKING IN CONTACT WITH THE GROUND OR MANURE TO BE PRESURE PRESERVATIVE TREATED. (PPT)

**NOTE:**  
CONSULT LOCAL HEALTH AND BUILDING CODE AUTHORITIES BEFORE STARTING CONSTRUCTION

BASED ON: CORNELL UNIV. PLAN 845

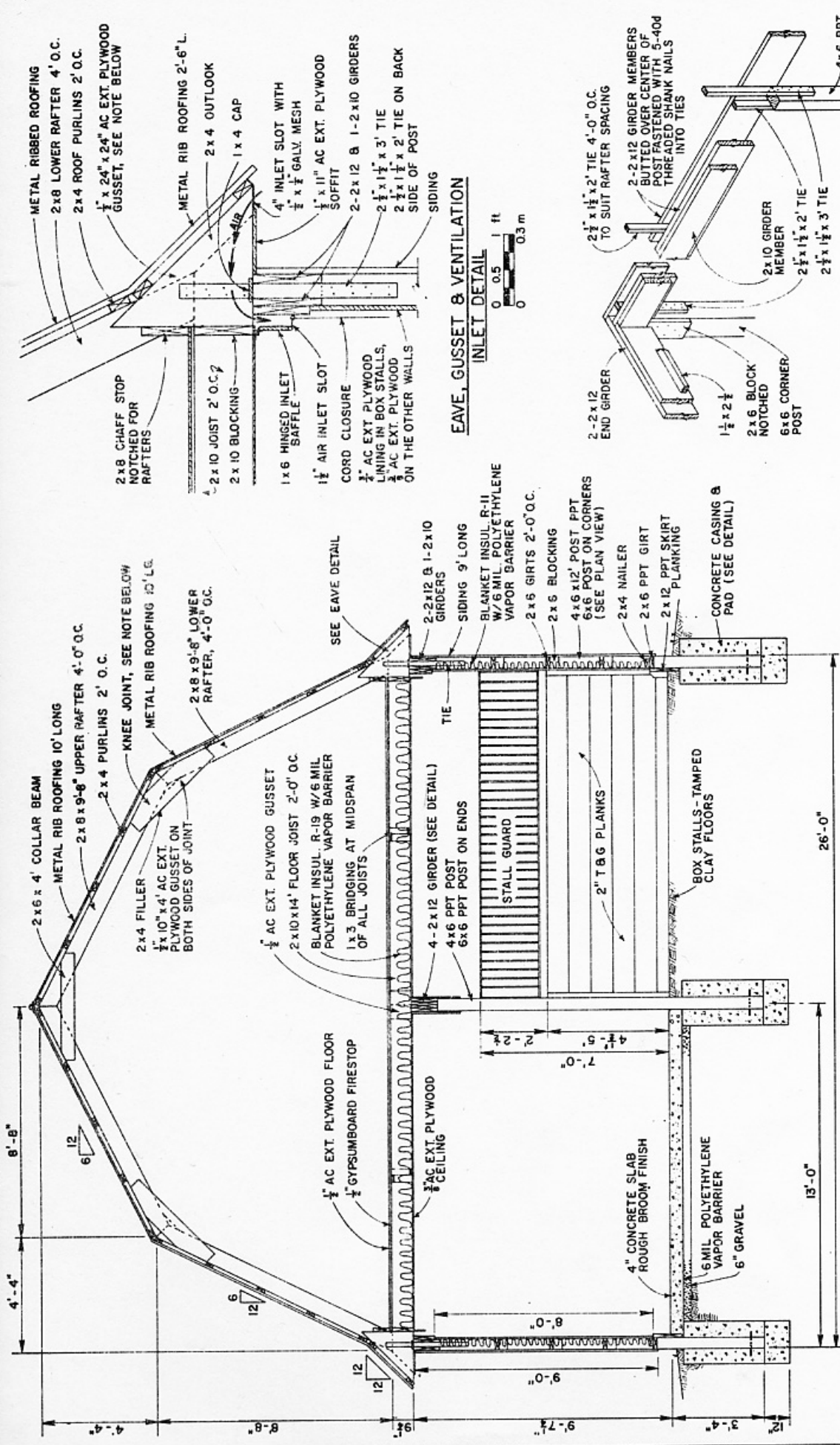
This plan is modified and extended from Plan No. 6024 developed in New Jersey.



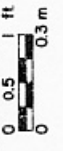
COOPERATIVE EXTENSION WORK IN AGRICULTURE AND HOME ECONOMICS  
STATE OF TENNESSEE  
UNIVERSITY OF TENNESSEE  
AGRICULTURAL ENGINEERING DEPARTMENT  
UNITED STATES DEPARTMENT OF AGRICULTURE COOPERATING

**HORSE BARN - 26' x 48' GAMBREL ROOF**

N.Y. '77 6 285 SHEET 1 OF 3



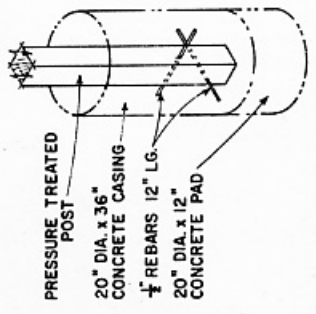
**EAVE, GUSSET & VENTILATION INLET DETAIL**



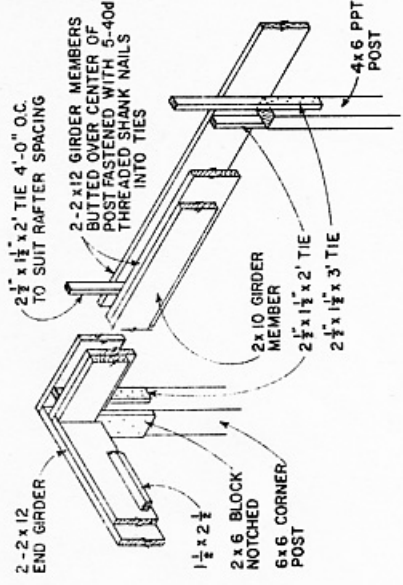
**SECTION**



**CASING & PAD DETAIL**

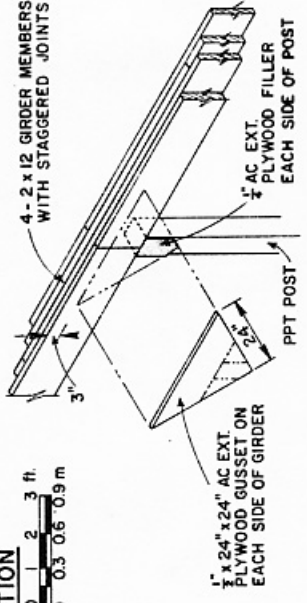


**SIDE POST & GIRDER DETAIL**



NOTE:  
ALL GUSSETS ARE NAILED WITH 8d THREADED SHANK NAILS IN A 3" x 3" GRID PATTERN WITH 1" EDGE AND END CLEARANCE.

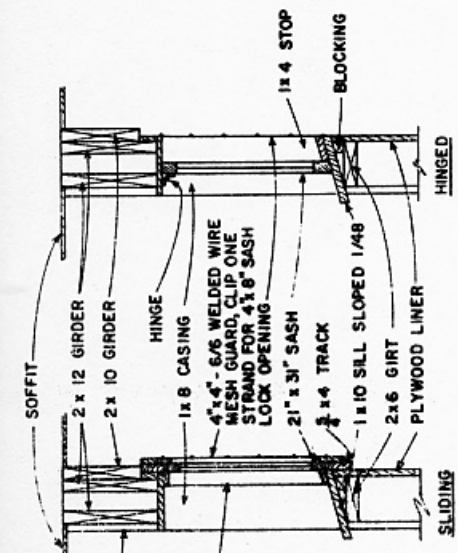
**CENTER POST & GIRDER DETAIL**



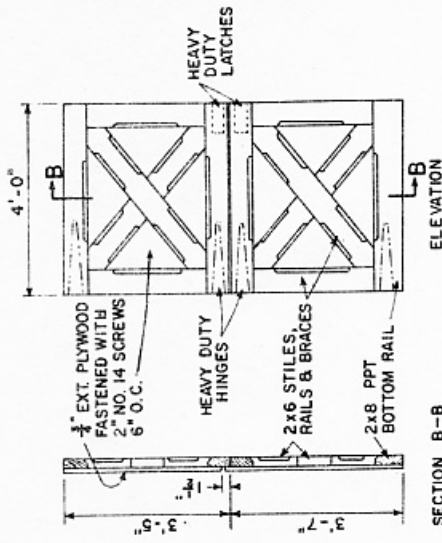
COOPERATIVE EXTENSION WORK IN AGRICULTURE AND HOME ECONOMICS  
STATE OF TENNESSEE  
UNIVERSITY OF TENNESSEE  
AGRICULTURAL ENGINEERING DEPARTMENT  
AND  
UNITED STATES DEPARTMENT OF AGRICULTURE COOPERATING

**HORSE BARN - 26' x 48'**  
**GAMBREL ROOF**

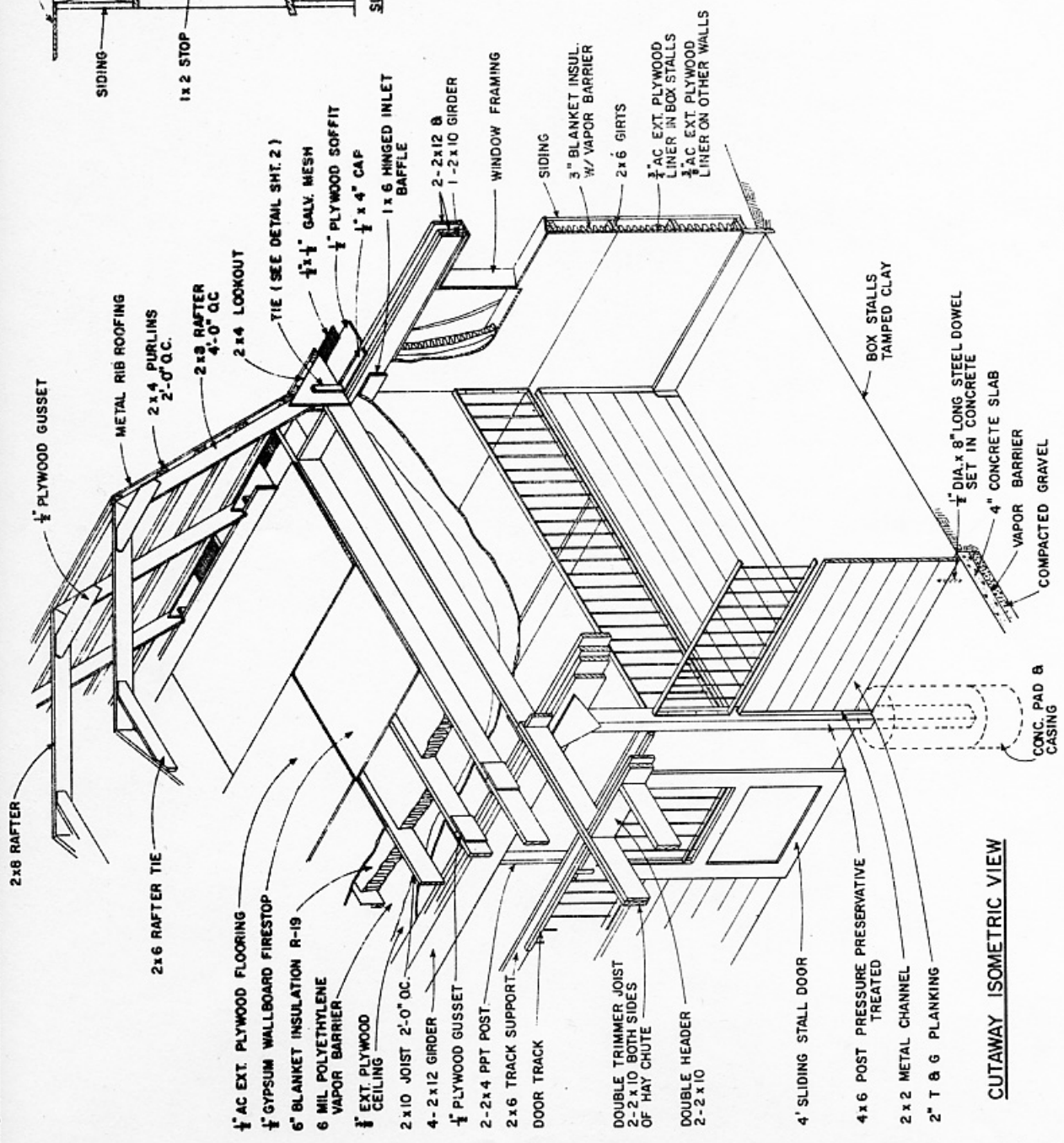
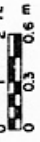
N.Y. '77 6 285 SHEET 2 OF 3



WINDOW DETAIL



DOOR DETAIL

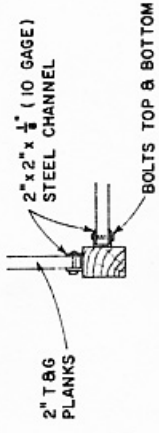


CUTAWAY ISOMETRIC VIEW

STALL DOOR POST DETAIL



STALL PARTITION ANCHOR



COOPERATIVE EXTENSION WORK IN AGRICULTURE AND HOME ECONOMICS  
STATE OF TENNESSEE  
UNIVERSITY OF TENNESSEE  
AGRICULTURAL ENGINEERING DEPARTMENT  
AND  
UNITED STATES DEPARTMENT OF AGRICULTURE COOPERATING

**HORSE BARN-26x48'**  
**GAMBELL, ROOF**

N.Y. '77 6 2 85 SHEET 3 OF 3