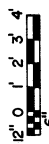
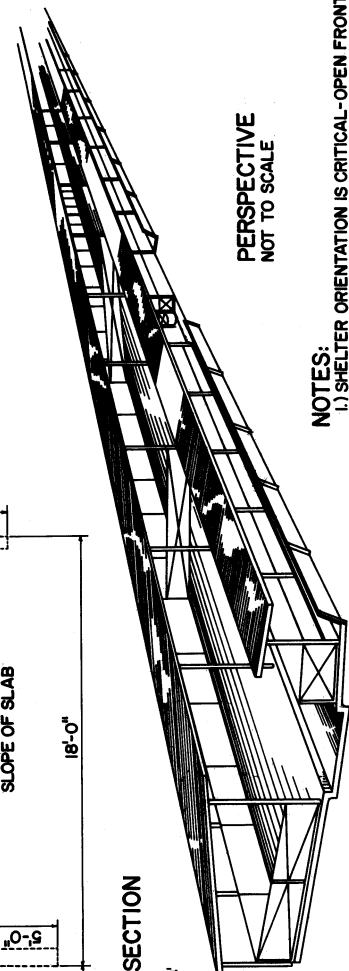


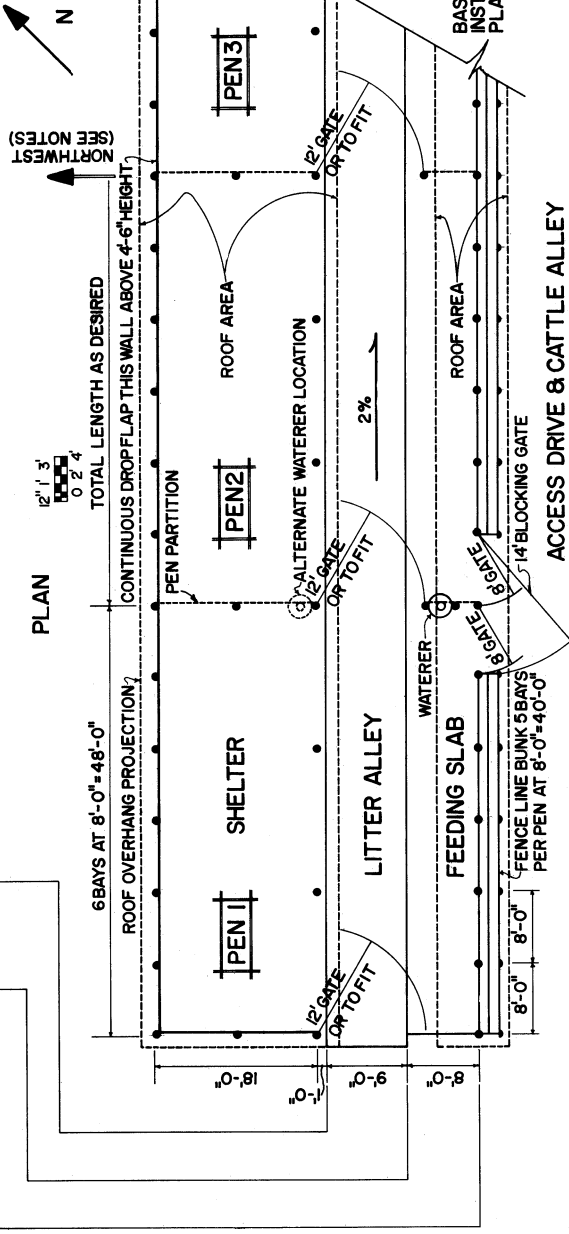
CROSS SECTION



PERSPECTIVE
NOT TO SCALE



PLAN



- NOTES:
- 1) SHELTER ORIENTATION IS CRITICAL - OPEN FRONT SHOULD FACE TO SOUTHEAST.
 - 2) SLOPED FLOOR AREAS ARE SELF-CLEANING NO BEDDING IS REQUIRED.
 - 3) IT MAY BE NECESSARY TO INCREASE BUNK ROOF CLEARANCE FOR FEED WAGON PASSAGE - MEASURE EQUIPMENT TO BE USED.
 - 4) LITTER ALLEY WIDTH VARIABLE DEPENDING ON MANURE HANDLING EQUIPMENT SELF-LOADING MANURE SPREADERS REQUIRE GREATER WIDTH WITH FLOATION TIRES.
 - 5) LITTER ALLEY CAN BE SCRAPPED BY TRACTOR OR AUTOMATIC ALLEY CLEANERS; ALLEY FLUSHING MAY BE POSSIBLE IN WARM CLIMATE. ELECTRIC DRIVE THRU GATES ARE SUGGESTED ALONG LITTER ALLEY TO FACILITATE MANURE-SCRAPING TRACTOR MOVEMENT.

USE FRAMING ANCHORS, PLUMBERS STRAP OR OTHER MEANS TO SECURE RAFTERS/PURLINS AGAINST WIND UPLIFT.

SEE PLATE DETAIL (SHEET TWO) FOR KNEE BRACE

TWO-2x6x8'-0" RAFTERS; CENTER & BOLT ON POLE

TWO-1x4x4'-8" KNEE BRACE; 8'-0" O.C.

BROOM FINISH 1/2 SLOPE

4" TOP DIA. 12" PT. POST; 8'-0" O.C.

EDGER FINISHED 6" CONC.

(SEE NOTES)

9'-0"

18'-0"

METAL ROOFING SHEETS

2x4 PURLINS ON EDGE; 2'-0" O.C.

TWO-1x4x3'-6" KNEE BRACE; 8'-0" O.C.

5" TOP DIA. 12" PT. POLE; 8'-0" O.C.

4" TOP DIA. 16'-0" PT. POLE; 16'-0" O.C.

BROOM FINISH LOWER HALF SLOPED FLOOR

4" CONC.

12' SLOPE OF SLAB

18'-0"

22'-0" METAL ROOFING SHEETS

2x4 PURLINS; 2'-0" O.C.

TWO-2x6x22'-0" RAFTERS; 4'-0" O.C. (SEE SHEET TWO FOR SPLICED RAFTER OPTION)

TWO-2x6x8'-0" KNEE BRACE; 16'-0" O.C.

1/2" SHEATH. GRADE PLYWOOD (EXT. GLUE) TO FIT.

4" x 6" x 12'-0" PT. POLE; 8'-0" O.C.

HINGE

2x8 FASCIA

2x4 PLATE

2x8 POST PLANK

4" x 6" x 12'-0" PT. POLE; 8'-0" O.C.

2x4 PT. PLANK

TO MANURE & RUNOFF HANDLING FACILITIES

BASED ON VIRGINIA POLYTECHNIC INSTITUTE & STATE UNIVERSITY PLAN NO. C-750

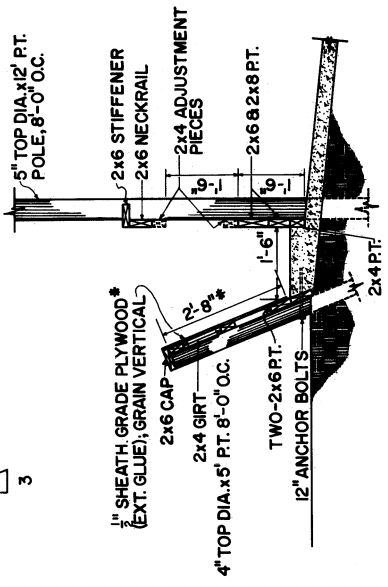
ACCESS DRIVE & CATTLE ALLEY

COOPERATIVE EXTENSION WORK IN AGRICULTURE AND HOME ECONOMICS STATE OF TENNESSEE

UNIVERSITY OF TENNESSEE UNITED STATES DEPARTMENT OF AGRICULTURE COOPERATING

BEEF FEEDING PENS COUNTER-SLOPED

VA. '78 6297 SHEET 1 OF 2



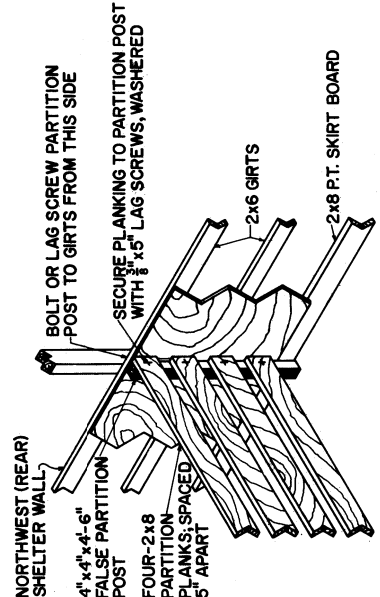
* PLYWOOD BUNK LINER CUT IN 2'-8" LENGTHS FROM STANDARD SHEET (3 PIECES PER SHEET)

BUNK DETAIL



AREA OF ANIMAL USE	NUMBER OF HEAD PER 48' PEN	AVAILABLE ANIMAL AREA FT ² /HD
RESTING SHELTER ¹	50*	63
FEEDING SLAB	175	139
TOTAL SLOPED FLOOR	77	61
LITTER ALLEY	252	200
TOTAL ANIMAL AREA ²	86	68
FEED BUNK	339	268
	89	70

* 50 HD/PEN RECOMMENDED HOT WEATHER PEN POPULATION UNTIL EXPERIENCE IS GAINED IN FACILITY MANAGEMENT.
 1) DOES NOT INCLUDE FEED BUNK ROOF SHELTER.
 2) TOTAL ANIMAL AREA IS 68% ROOFED.



PEN PARTITION DETAIL
NOT TO SCALE

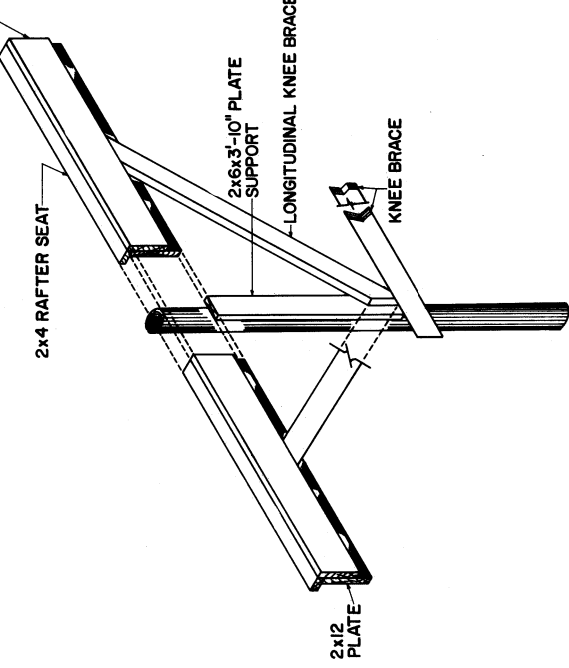
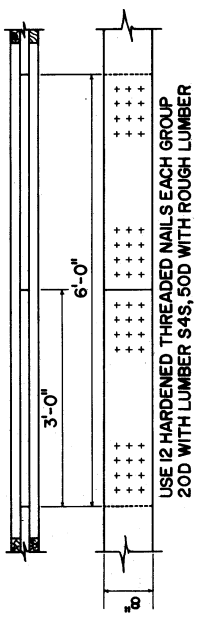
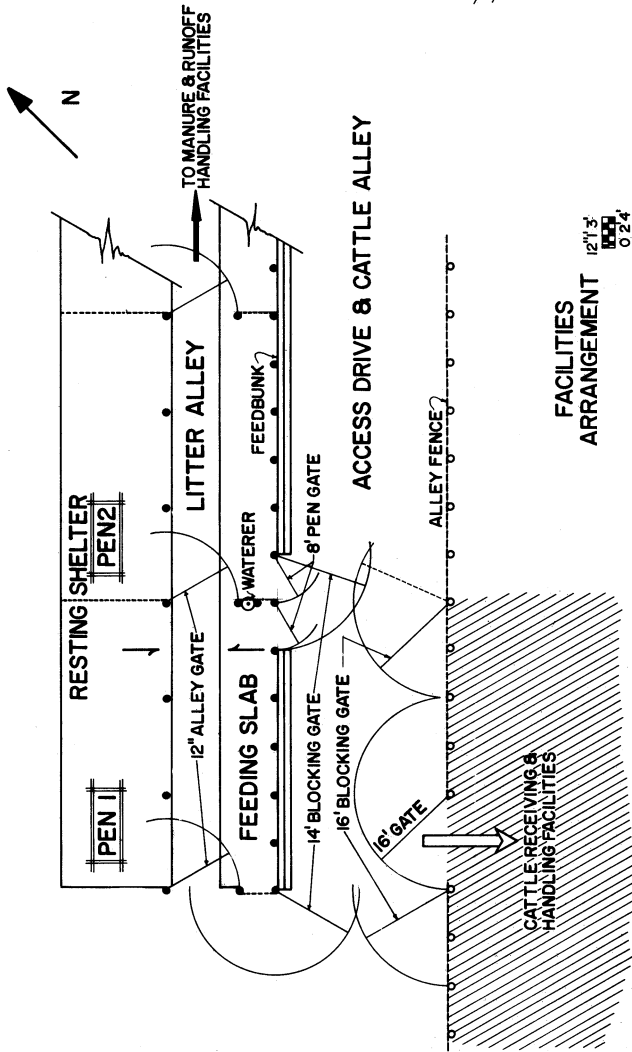


PLATE DETAIL
NOT TO SCALE



SPliced RAFTER NAILING SCHEDULE
NOT TO SCALE



FACILITIES ARRANGEMENT
12" 3' 0 2 4'

COOPERATIVE EXTENSION WORK IN AGRICULTURE AND HOME ECONOMICS
 STATE OF TENNESSEE
 UNIVERSITY OF TENNESSEE
 AND
 UNITED STATES DEPARTMENT OF AGRICULTURE COOPERATING

**BEEF FEEDING PENS
 COUNTER-SLOPED**

VA. '78 6297 SHEET 2 OF 2

ALTERNATE RAFTER DESIGN
NOT TO SCALE