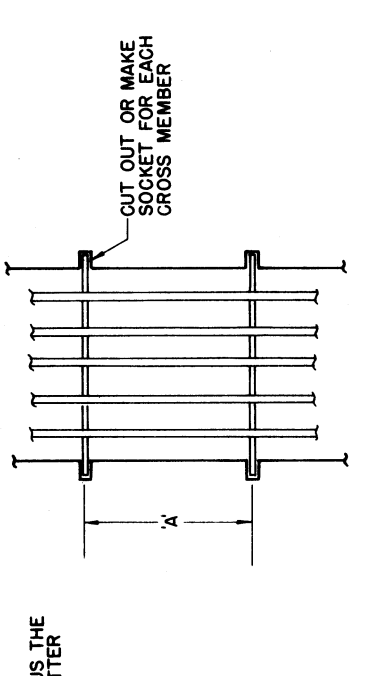
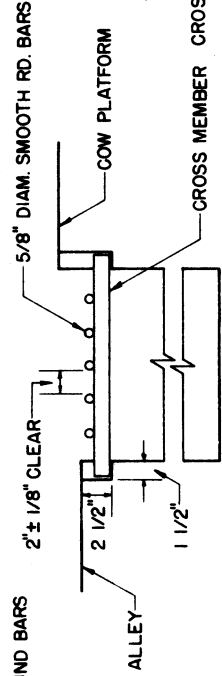
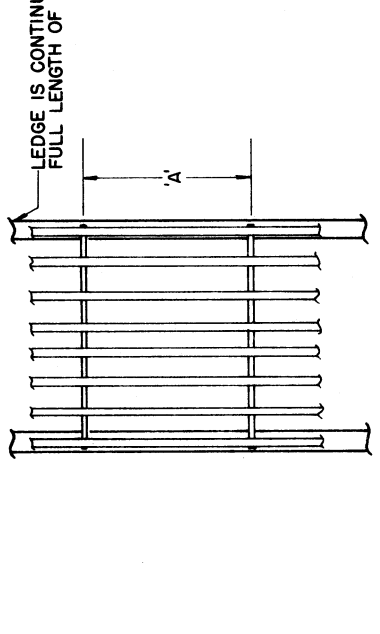
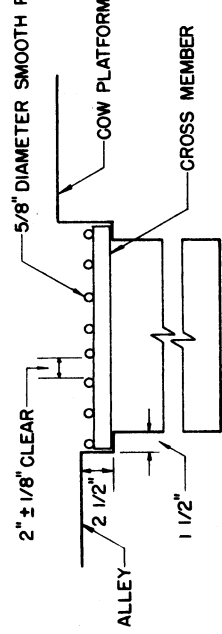


OPTION A

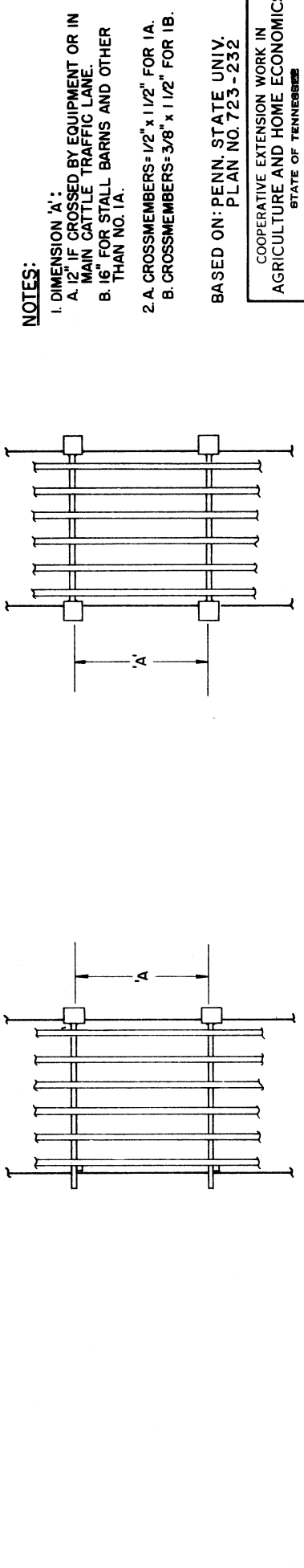
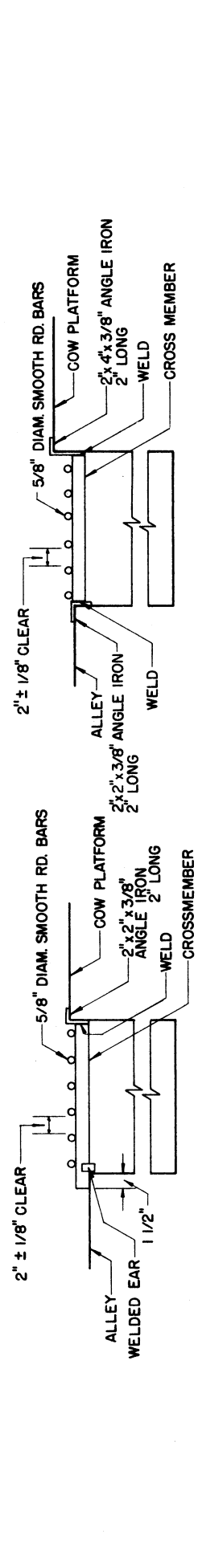


OPTION B



OPTION C

BEST SUITED TO NEW CONSTRUCTION OR REMODELING



OPTION D

CONTINUOUS PIECES OF ANGLE IRON CAN BE USED, HOWEVER, DIFFICULTY IN CLEANING ALLEY AND PLATFORM SHOULD BE ANTICIPATED.

CONTINUOUS PIECES OF ANGLE IRON CAN BE USED, HOWEVER, DIFFICULTY IN CLEANING ALLEY AND PLATFORM SHOULD BE ANTICIPATED.

NOTES:

- 1. DIMENSION 'A':
A. 12" IF CROSSED BY EQUIPMENT OR IN MAIN CATTLE TRAFFIC LANE.
B. 16" FOR STALL BARN AND OTHER THAN NO. 1A.
- 2. A. CROSSMEMBERS=1/2" x 1 1/2" FOR 1A.
B. CROSSMEMBERS=3/8" x 1 1/2" FOR 1B.

BASED ON: PENN. STATE UNIV. PLAN NO. 723-232

COOPERATIVE EXTENSION WORK IN AGRICULTURE AND HOME ECONOMICS
STATE OF TENNESSEE
UNIVERSITY OF TENNESSEE
UNITED STATES DEPARTMENT OF AGRICULTURE COOPERATING