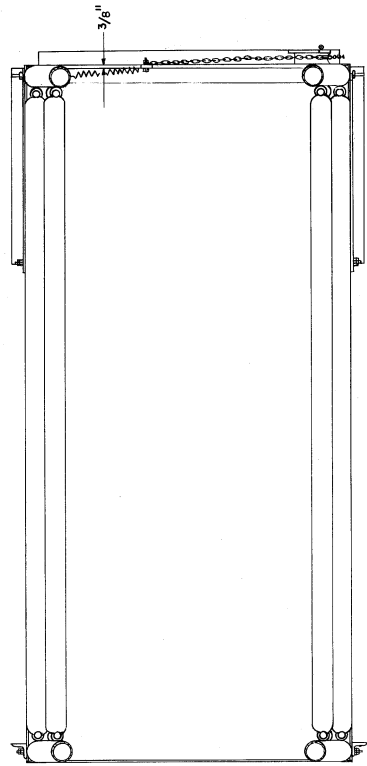
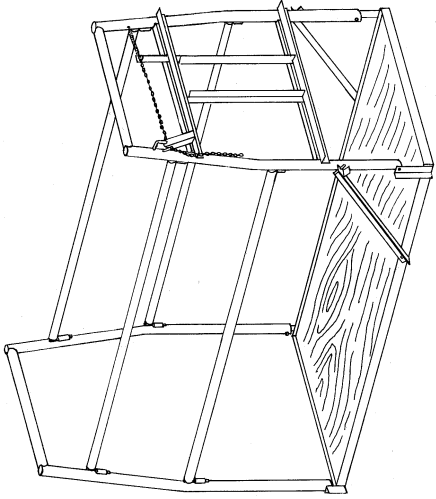


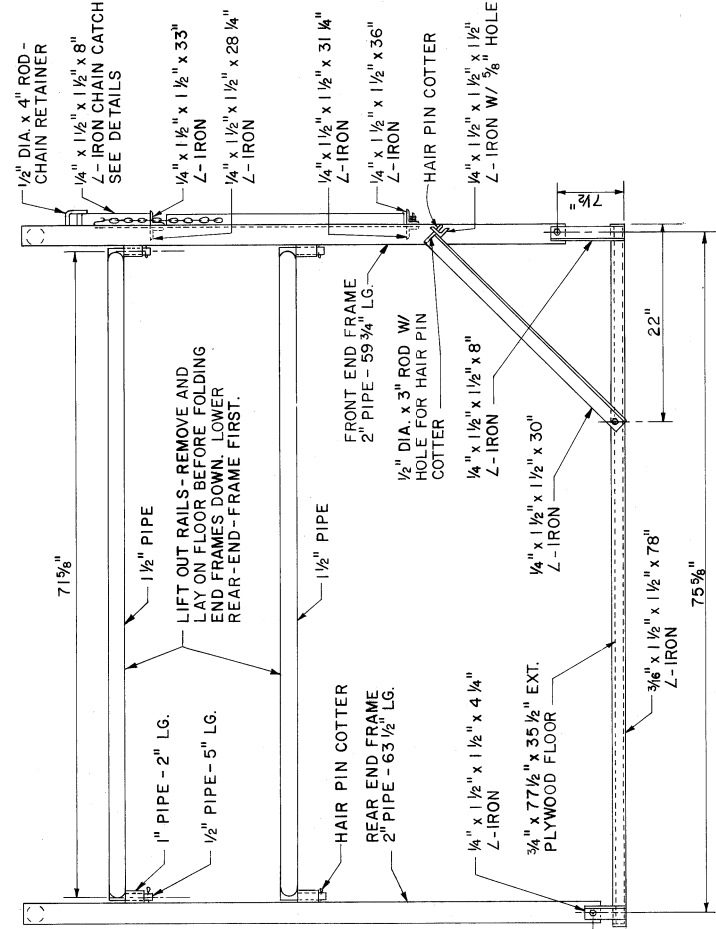
**CHAIN CATCH DETAILS**



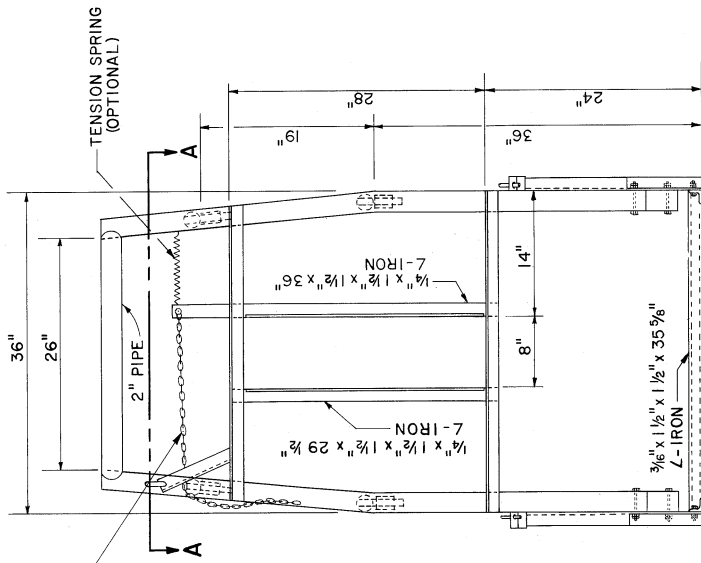
**SECTION A-A**



STRAIGHT LINK MACHINE CHAIN - 1/0, 0.177 DIA. LINK, INSIDE LENGTH 0.74" OR EQUIVALENT SHORT LINK WELDED CHAIN



**SIDE VIEW**



**END VIEW**

- NOTES:
- ⊙ - INDICATES PIVOTING POINTS - FASTEN WITH 1/2" BOLTS. USE 2 NUTS TO LOCK BOLTS IN PLACE AND TO ALLOW PARTS TO MOVE FREELY. ALL OTHER PARTS TO BE WELDED IN PLACE AS SHOWN.
  - THIS CHUTE SIZED FOR 1400 LB. DAIRY COW. FOR OTHER SIZED ANIMALS, CERTAIN DIMENSIONS WILL NEED TO BE CHANGED.

COOPERATIVE EXTENSION WORK IN AGRICULTURE AND HOME ECONOMICS  
STATE OF TENNESSEE  
**UNIVERSITY OF TENNESSEE**  
UNITED STATES DEPARTMENT OF AGRICULTURE COOPERATING

**DAIRY COW TRIMMING CHUTE (PORTABLE)**

W. VA. '78 **6303** SHEET 1 OF 1