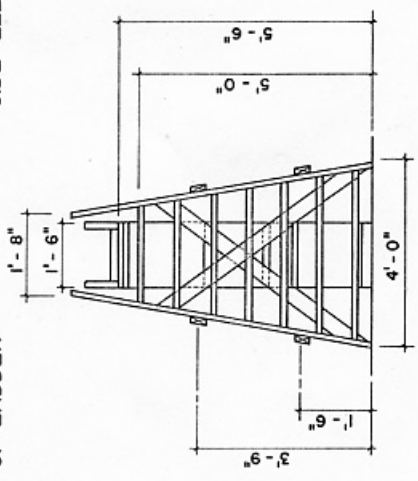
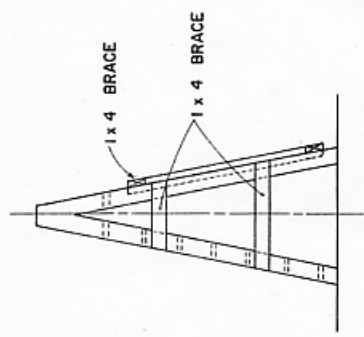


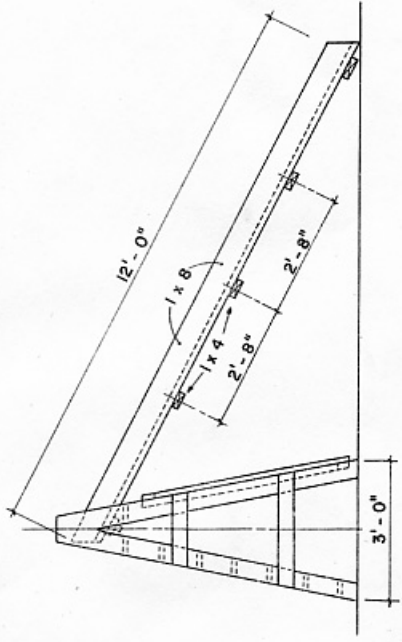
REAR ELEVATION OF LADDER



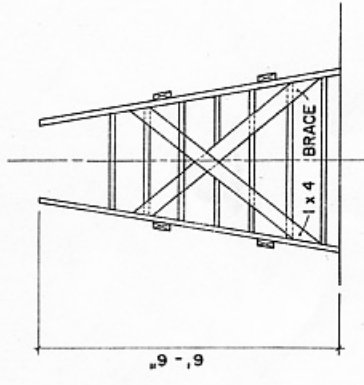
REAR ELEVATION



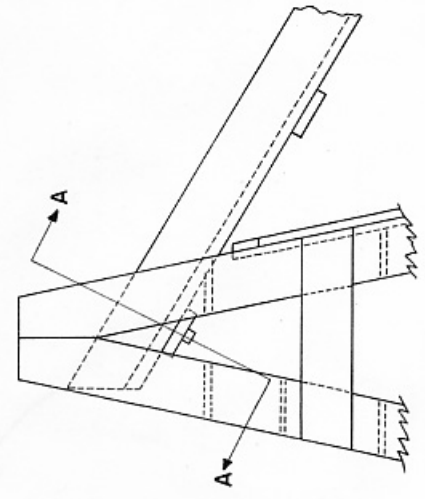
SIDE ELEVATION OF LADDER



SIDE ELEVATION



BRACING DETAIL



SECTION A - A

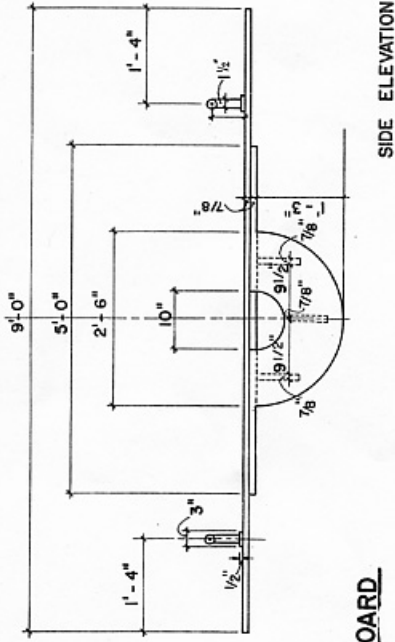


SLIDING BOARD



SCALE: UNLESS OTHERWISE NOTE
 COOPERATIVE EXTENSION WORK IN
 AGRICULTURE AND HOME ECONOMICS
 UNIVERSITY OF TENNESSEE
 AGRICULTURAL ENGINEERING DEPARTMENT
 AND
 UNITED STATES DEPARTMENT OF AGRICULTURE COOPERATING

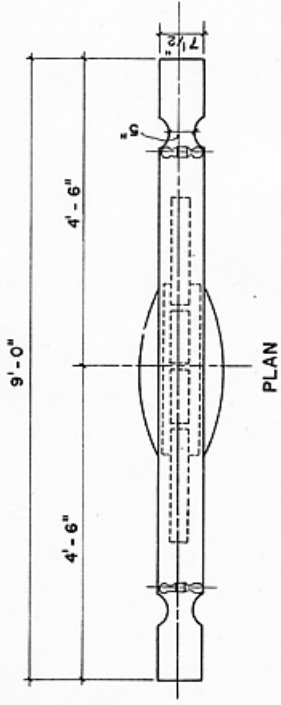
BASED ON: AUBURN UNIV. PLAN NO. E-302



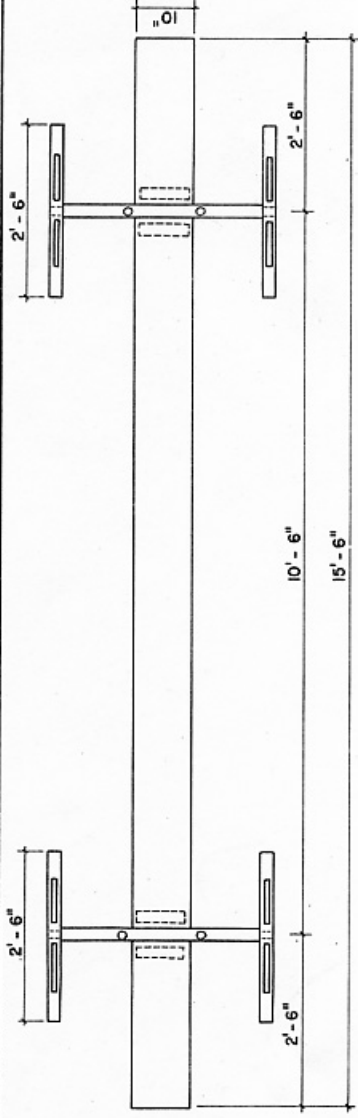
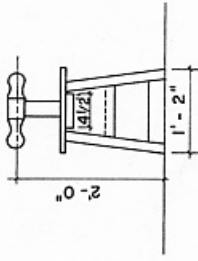
SIDE ELEVATION

TEETER BOARD

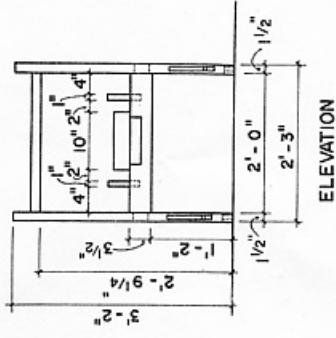
SCALE



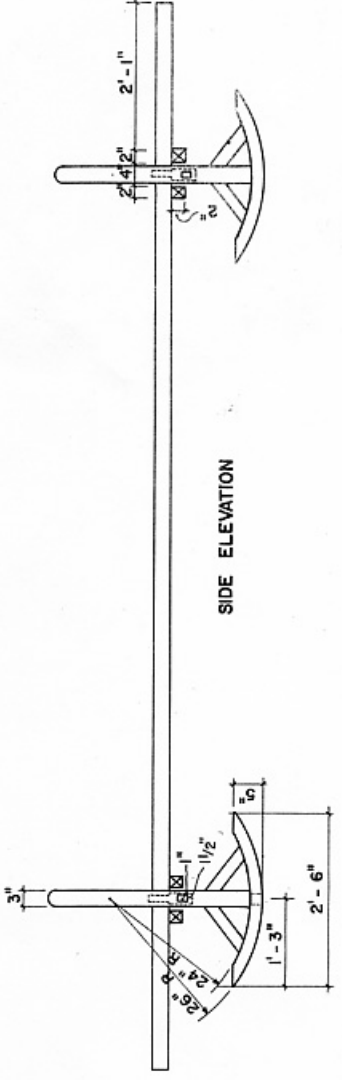
PLAN



PLAN



ELEVATION



SIDE ELEVATION

ROCKING BOARD

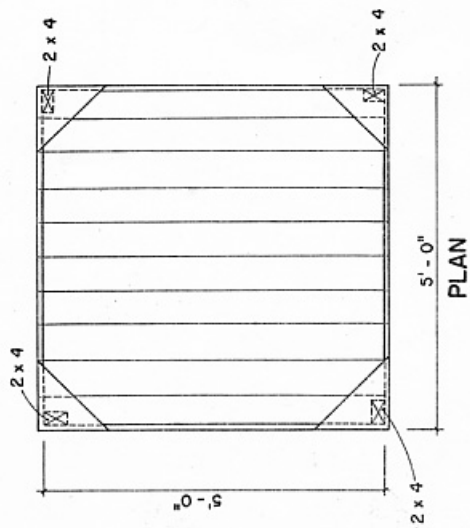
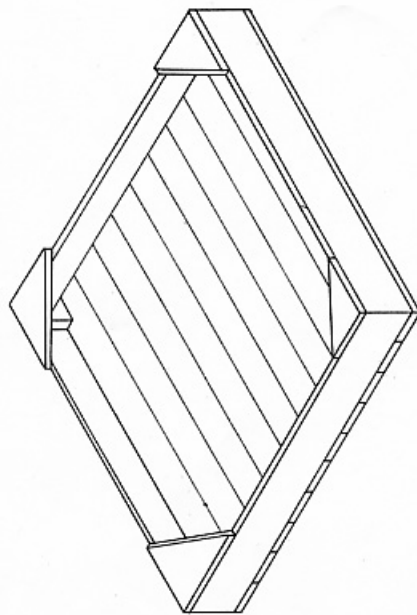
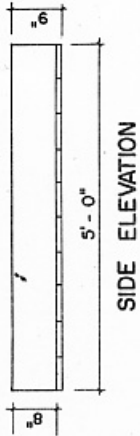


SCALE

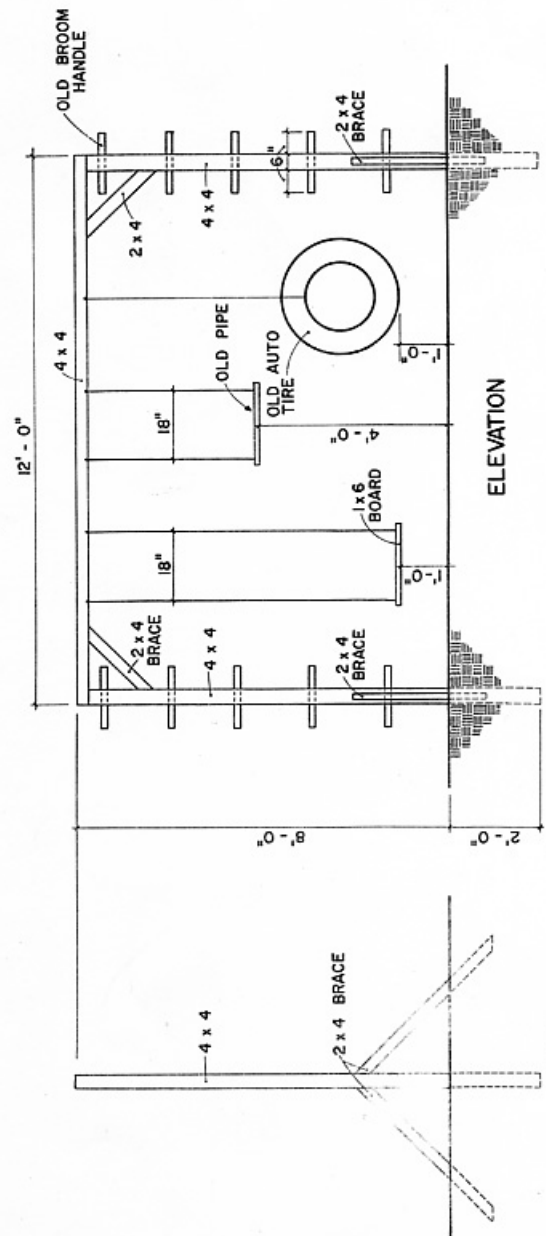
COOPERATIVE EXTENSION WORK IN
 AGRICULTURE AND HOME ECONOMICS
 UNIVERSITY OF TENNESSEE
 AGRICULTURAL ENGINEERING DEPARTMENT
 AND
 UNITED STATES DEPARTMENT OF AGRICULTURE COOPERATING

PLAYGROUND EQUIPMENT

USDA '79 EX. 6317 SHEET 3 OF 4



SAND BOX
SCALE
1/2" = 9' 6" 3/4" 0



GYM SET
SCALE
1/2" = 6' 0" 1' 2' 3'

