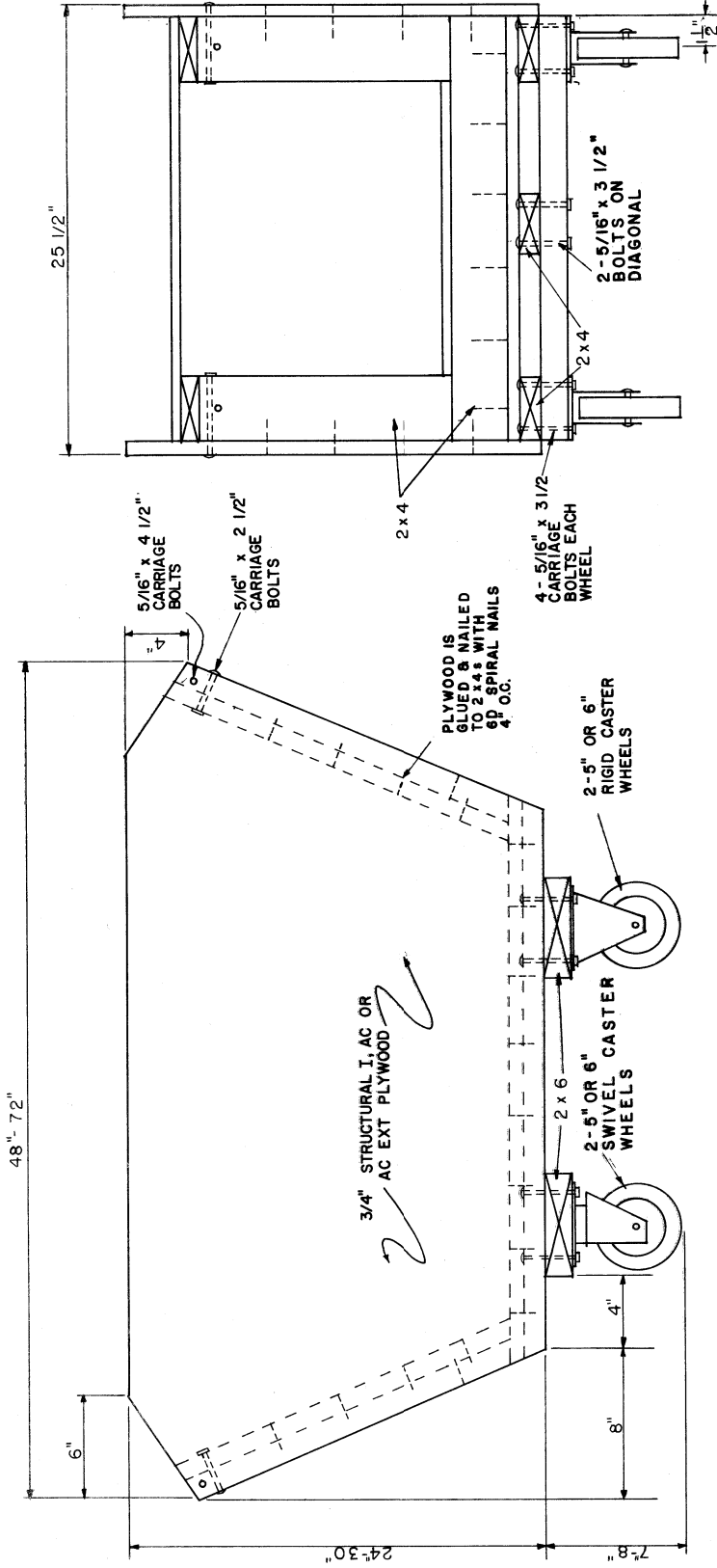


# FEED CART



SIDE VIEW

END VIEW

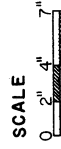
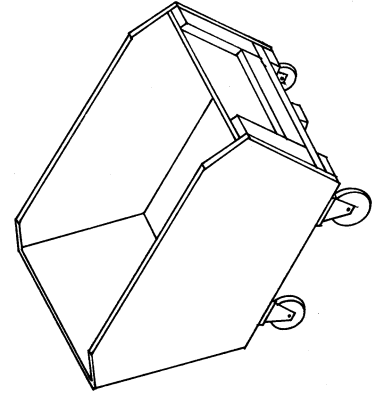
**BILL OF MATERIALS**

**LUMBER AND OTHER CONSTRUCTION MATERIALS:**

NUMBER OF PIECES	DIMENSION	GRADE AND KIND	USE
2 (48" CART)	3/4" x 4' x 8'	STRUCTURAL I, AC OR AC EXTERIOR	SIDES, ENDS, BOTTOMS
3 (72" CART)	2 x 4 x 10'	CONSTRUCTION OR NO. 1 FIR	FRAMING
2 (48" CART)	2 x 4 x 12'	"	"
1 (72" CART)	2 x 4 x 14'	"	"
1 (72" CART)	2 x 6 x 4'	"	"

**FASTENERS AND OTHER HARDWARE**

AMOUNT	SIZE	ITEM
2	5" OR 6" DIAMETER, 400 LBS CAPACITY SWIVEL CASTER	WHEELS
20	5" OR 6" DIAMETER, 400 LBS CAPACITY RIGID CASTER	WHEELS
4	5/16" x 3-1/2" CARRIAGE, WITH WASHERS	BOLTS
4	5/16" x 2-1/2" "	"
1- 1/2 LB	6d SPIRAL RESORCINOL (WATERPROOF)	NAILS
1/2 PT		GLUE



COOPERATIVE EXTENSION WORK IN  
**AGRICULTURE AND HOME ECONOMICS**  
 Agricultural Extension Service  
 University of Tennessee Institute of Agriculture  
 Agricultural Engineering Department  
 AND  
 UNITED STATES DEPARTMENT OF AGRICULTURE COOPERATING

FEED CART

NY 82

EX. 6343

SHEET 1 OF 1

REV. '84