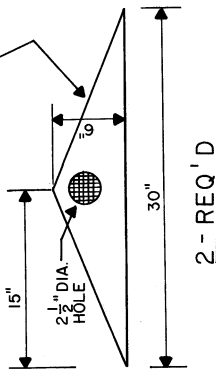
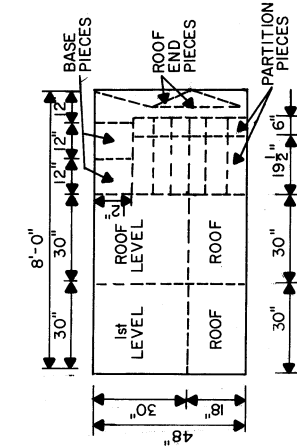
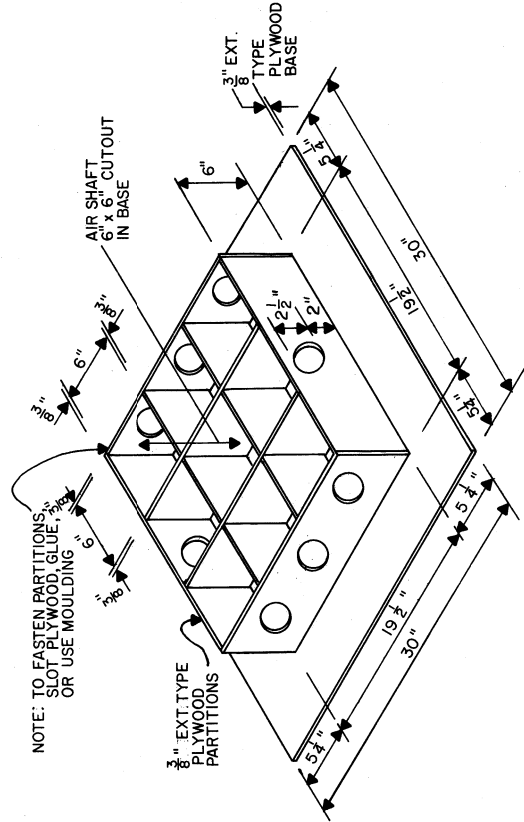


**ROOF DETAILS**

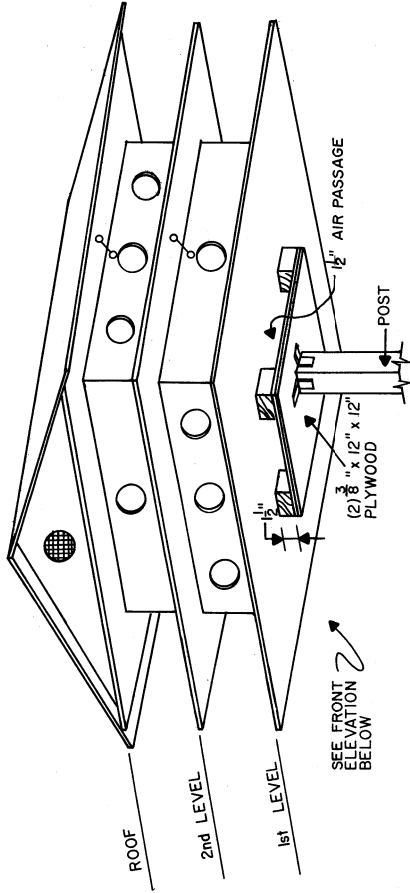


2 - REQ'D



NOTE: TO FASTEN PARTITIONS, SLOT PLYWOOD, GLUE, AND USE MOULDING

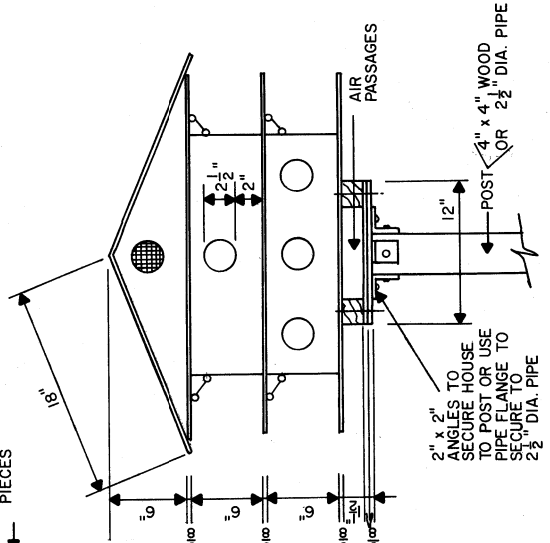
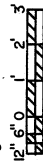
**DETAILS OF ONE LEVEL**



**VIEW OF TWO LEVEL BIRDHOUSE**

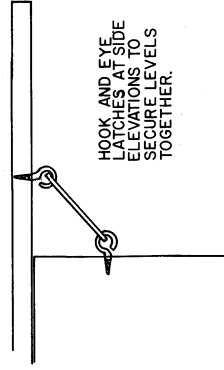
PLYWOOD CUTTING DIAGRAM FOR ONE LEVEL BIRDHOUSE

0" 1" 4" 9" 12" SCALE UNLESS OTHERWISE NOTED



NOTE: 1. LOCATE NEAR AREA NEEDING INSECT CONTROL.  
2. HEIGHT ABOVE GROUND IS 15' - 20'.

**FRONT ELEVATION**



**DETAIL FOR LATCHES**