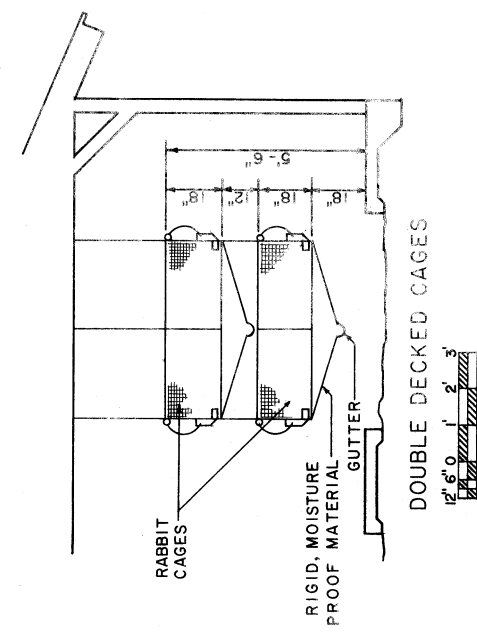
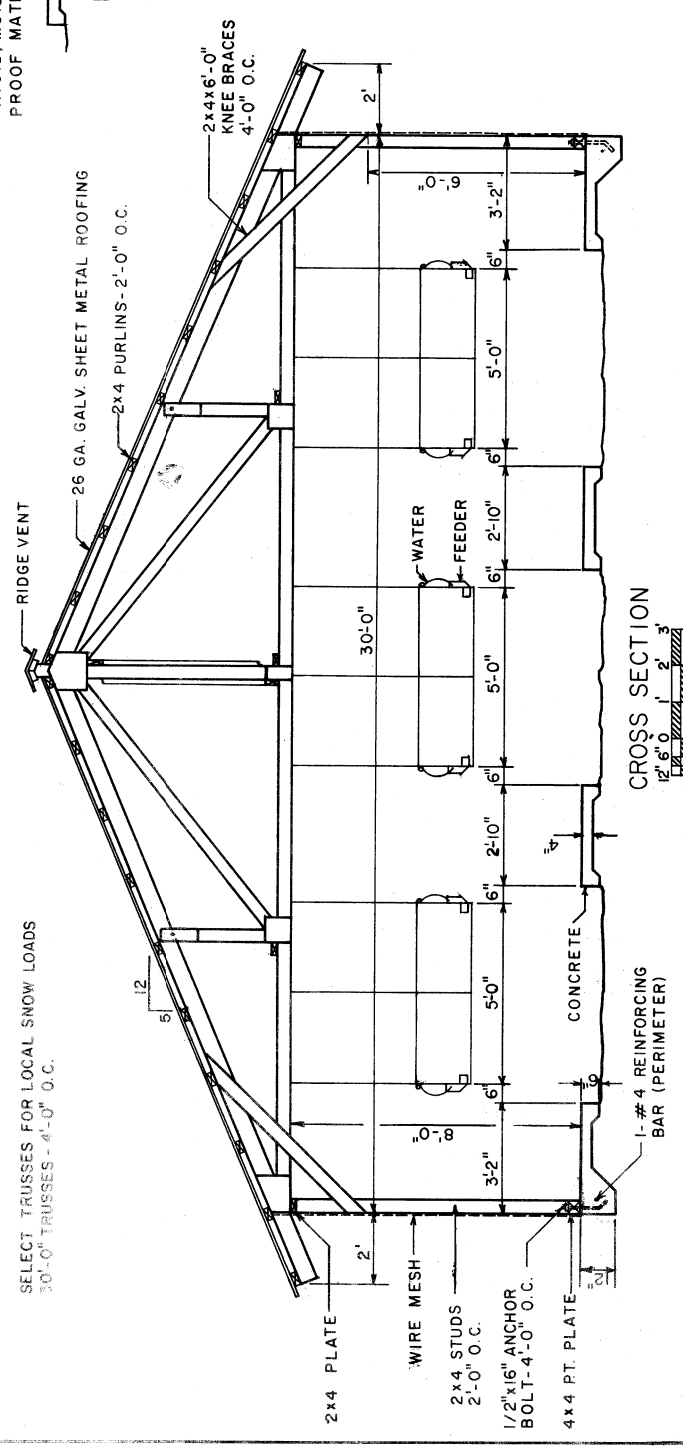


FLOOR PLAN

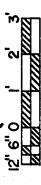


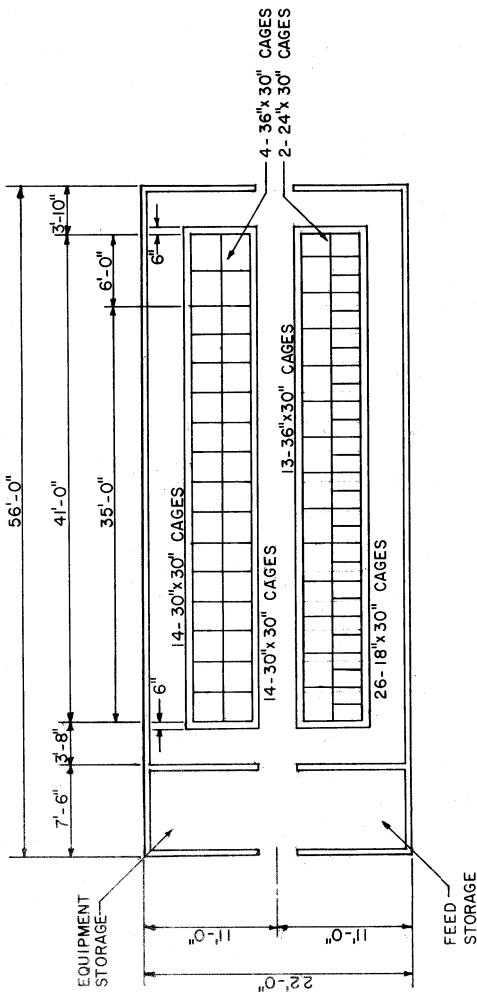
DOUBLE DECKED CAGES

SELECT TRUSSES FOR LOCAL SNOW LOADS
30'-0" TRUSSES - 4'-0" O.C.



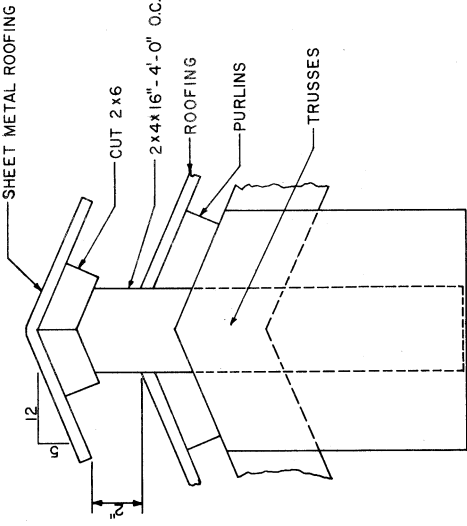
CROSS SECTION





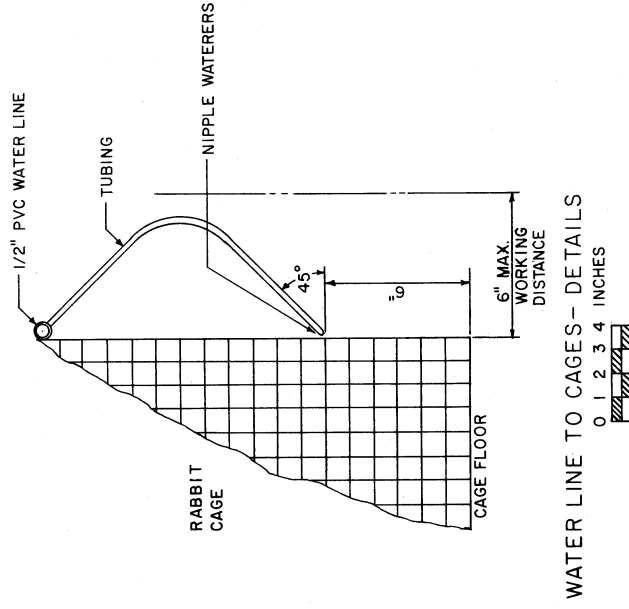
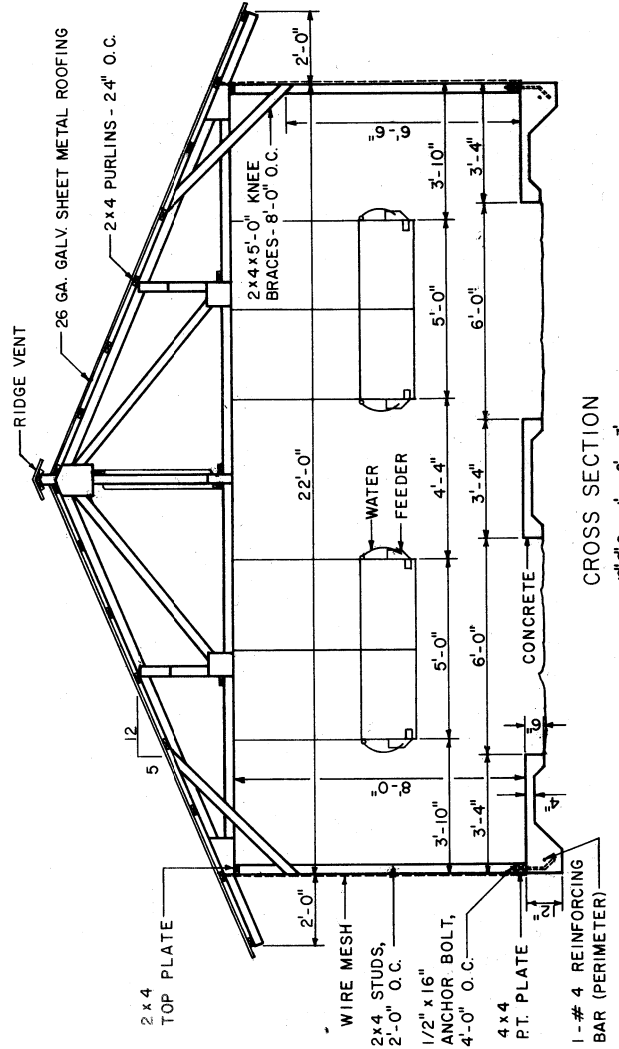
ROOF VENT DETAILS

0 1 2 3 4 INCHES



SELECT TRUSSES FOR LOCAL SNOW LOADS

22'-0" TRUSSES - 4'-0" O.C.



COOPERATIVE EXTENSION SERVICE
AGRICULTURE AND HOME ECONOMICS
 Agricultural Extension Service
 University of Tennessee Institute of Agriculture
 Agricultural Engineering Department
 UNITED STATES DEPARTMENT OF AGRICULTURE COOPERATING

2 MULTI-ROW CAGED RABBIT SHED

S.C. '82 6360 SHEET 2 OF 2