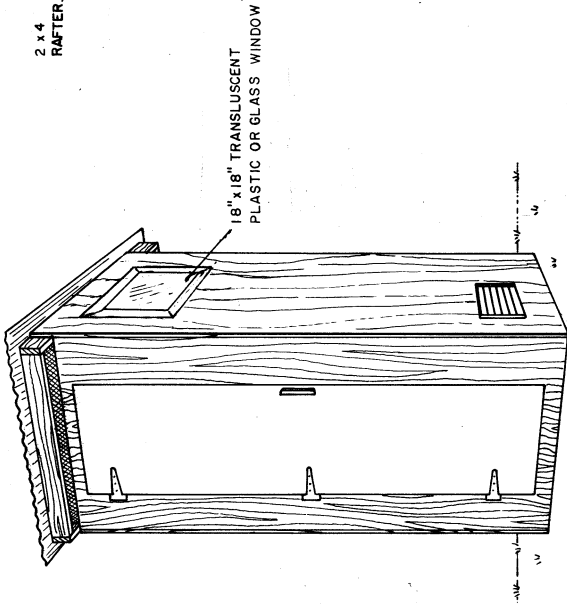


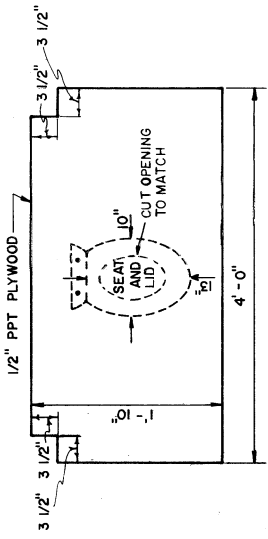
FRAMING ISOMETRIC (NO SCALE)



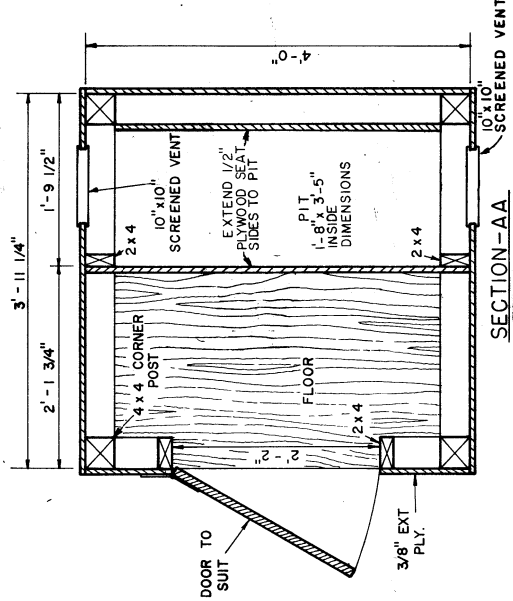
PERSPECTIVE (NO SCALE)

NOTES:

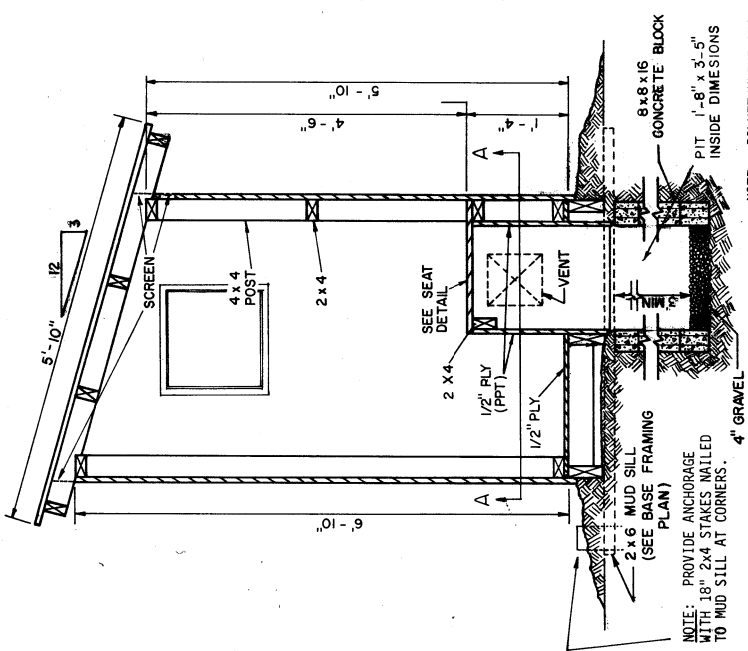
1. ALL PLYWOOD TO BE EXTERIOR TYPE.
2. ALL WOOD BELOW SEAT LEVEL SHOULD BE PRESERVATIVE TREATED.
3. ALL FASTENINGS AND METAL PARTS TO BE CORROSION RESISTANT.
4. CONSULT LOCAL HEALTH OR BUILDING DEPARTMENT OFFICIALS FOR STRUCTURE AND PIT APPROVAL IN YOUR AREA.
5. ALL WOOD BELOW GROUND SHOULD BE PRESERVATIVE TREATED.



SEAT DETAIL



SECTION-AA

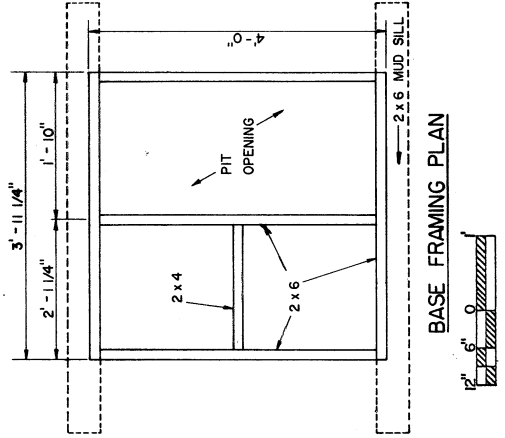


BASE FRAMING PLAN

NOTE: PROVIDE ANCHORAGE WITH 18\"/>

SECTION

NOTE: POLYETHYLENE SEAL MAY BE REQUIRED UNDER GRAVEL.



FRAMING PLAN

COOPERATIVE EXTENSION SERVICE
 AGRICULTURE AND HOME ECONOMICS
 Agricultural Extension Service
 University of Tennessee - Institute of Agriculture
 and Forestry
 Agricultural Experiment Station
 AND
 UNITED STATES DEPARTMENT OF AGRICULTURE COOPERATING

PIT - TYPE PRIVY

MASS '68 6396 SHEET 1 OF 1

REV '87