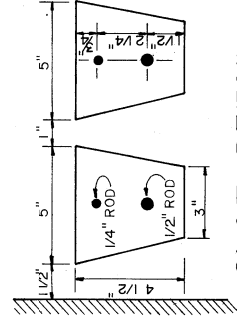


SECTION B-B



SLAT DETAIL

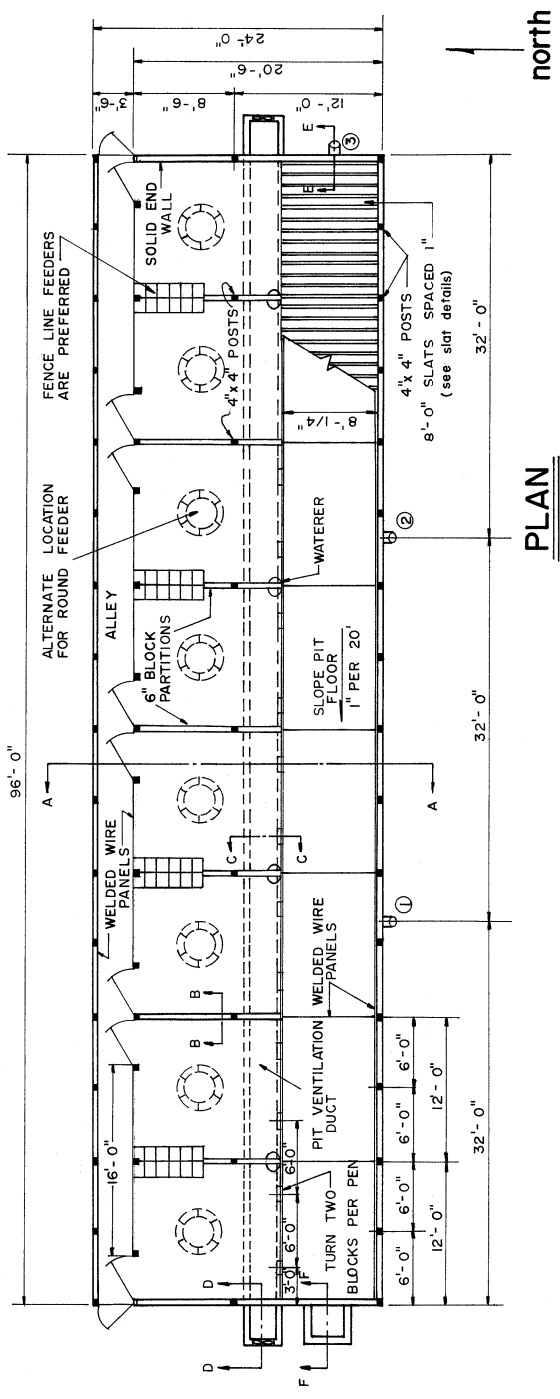
NOTE: APPROXIMATE CAPACITY OF 8 PENS IS 240 HEAD (30 HEAD PER PEN)

* WELDED WIRE WILL REQUIRE PIPE OR ANGLE IRON FRAME.

COOPERATIVE EXTENSION WORK IN AGRICULTURE AND HOME ECONOMICS
STATE OF TENNESSEE
UNIVERSITY OF TENNESSEE
AGRICULTURAL ENGINEERING DEPARTMENT
UNITED STATES DEPARTMENT OF AGRICULTURE COOPERATING

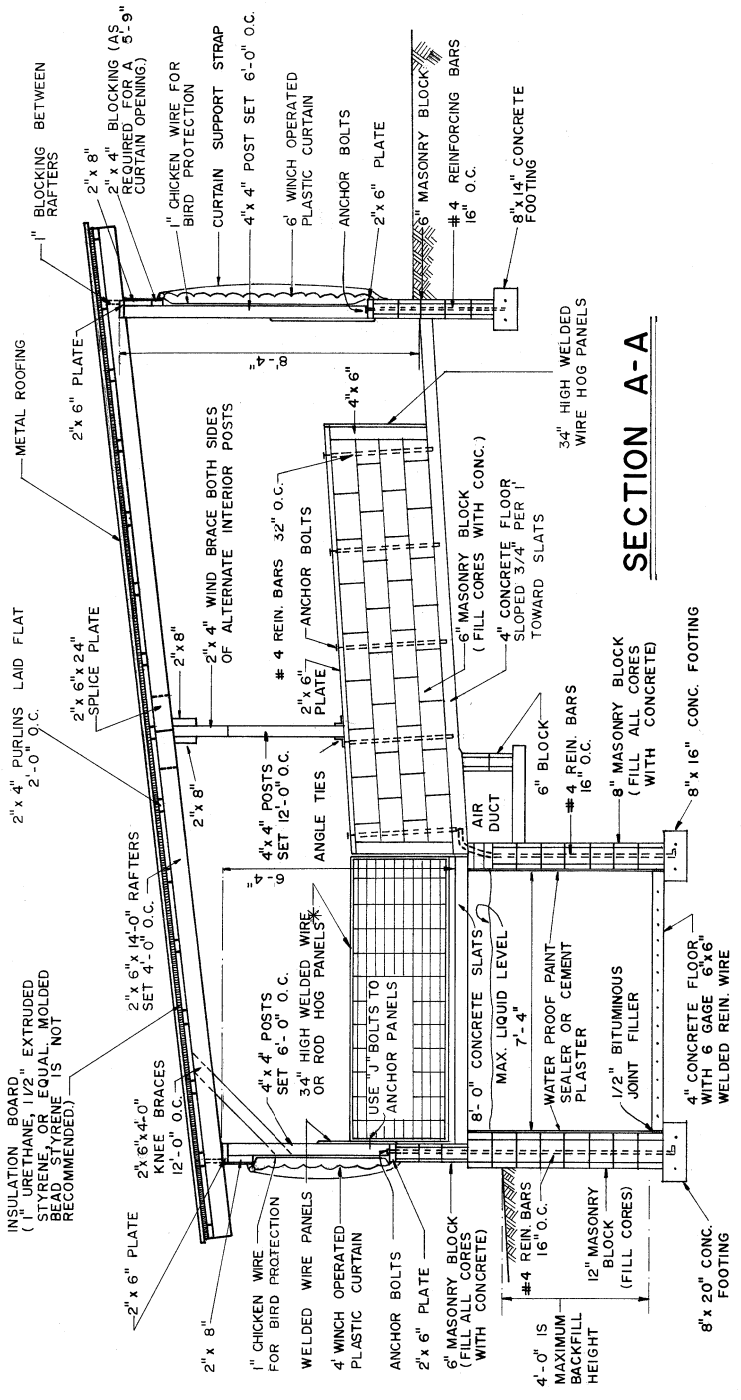
SWINE FINISHING FLOOR WITH CURTAIN WALL

TENN. GFG SN AUG. 1976 SHEET 1 OF 2
PLAN NO. 14024
REVISED (8-30-76)



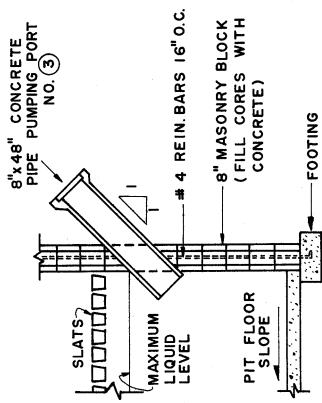
PLAN

NOTE: INSULATION JOINTS TO BE TONGUE & GROOVE OR TAPED WITH VAPOR RESISTANT TAPE.



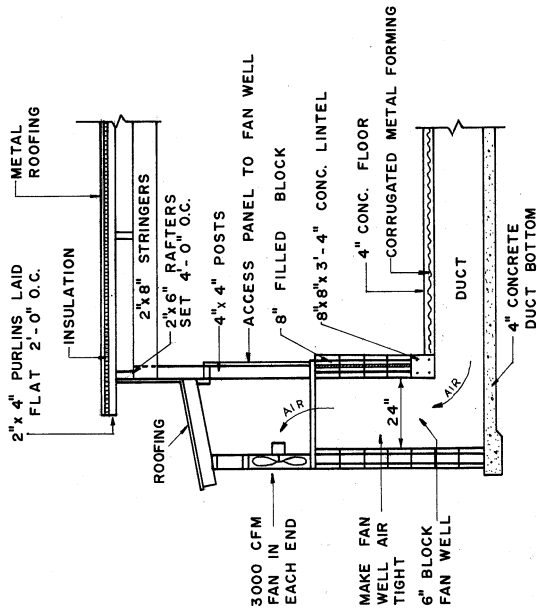
SECTION A-A

4'-0" IS MAXIMUM BACKFILL HEIGHT

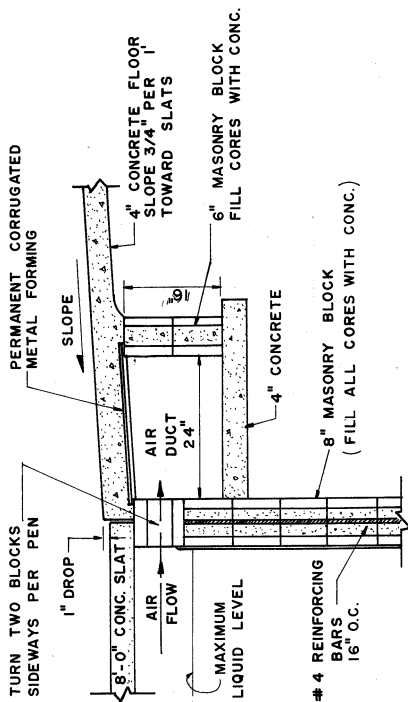


SECTION E-E

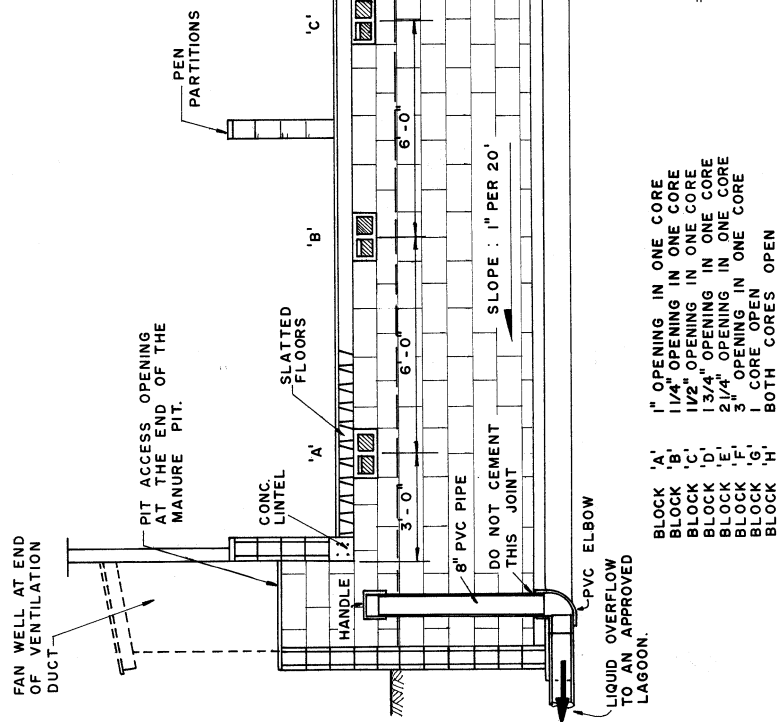
NOTE :
PUMPING PORTS AS SHOWN IN
SECTION E-E ARE NOT REQUIRED
FOR WASTE DISPOSAL TO A
LAGOON.



SECTION D-D



SECTION C-C



SECTION F-F AND AIR OPENING DETAIL

NOTE :
BLOCK 'A' IS NEAREST TO THE FAN.
BLOCK 'H' IS FARTHEST FROM THE FAN.

BLOCK 'A' 1" OPENING IN ONE CORE
BLOCK 'B' 1 1/4" OPENING IN ONE CORE
BLOCK 'C' 1 1/2" OPENING IN ONE CORE
BLOCK 'D' 1 3/4" OPENING IN ONE CORE
BLOCK 'E' 2 1/4" OPENING IN ONE CORE
BLOCK 'F' 3" OPENING IN ONE CORE
BLOCK 'G' 1 CORE OPEN
BLOCK 'H' BOTH CORES OPEN

COOPERATIVE EXTENSION WORK IN
AGRICULTURE AND HOME ECONOMICS
STATE OF TENNESSEE
UNIVERSITY OF TENNESSEE
AGRICULTURAL ENGINEERING DEPARTMENT
UNITED STATES DEPARTMENT OF AGRICULTURE COOPERATING

**SWINE FINISHING FLOOR
WITH CURTAIN WALLS**

TENN. GFG SN PLAN NO. T.4024 SHEET 2 OF 2
AUG. 1976
REVISED (8-30-78)