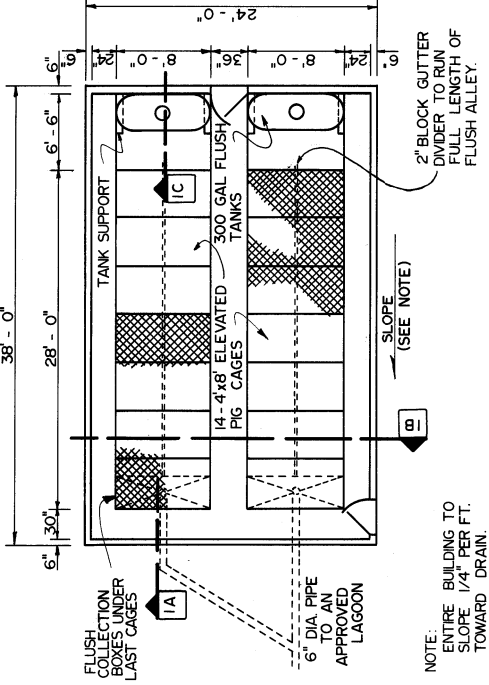
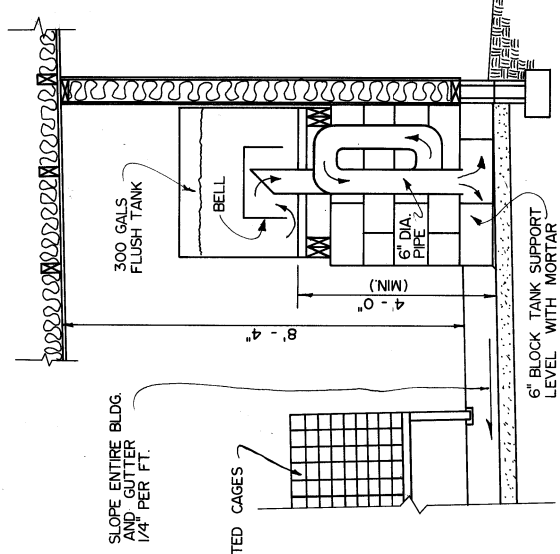


**WALL DETAIL**

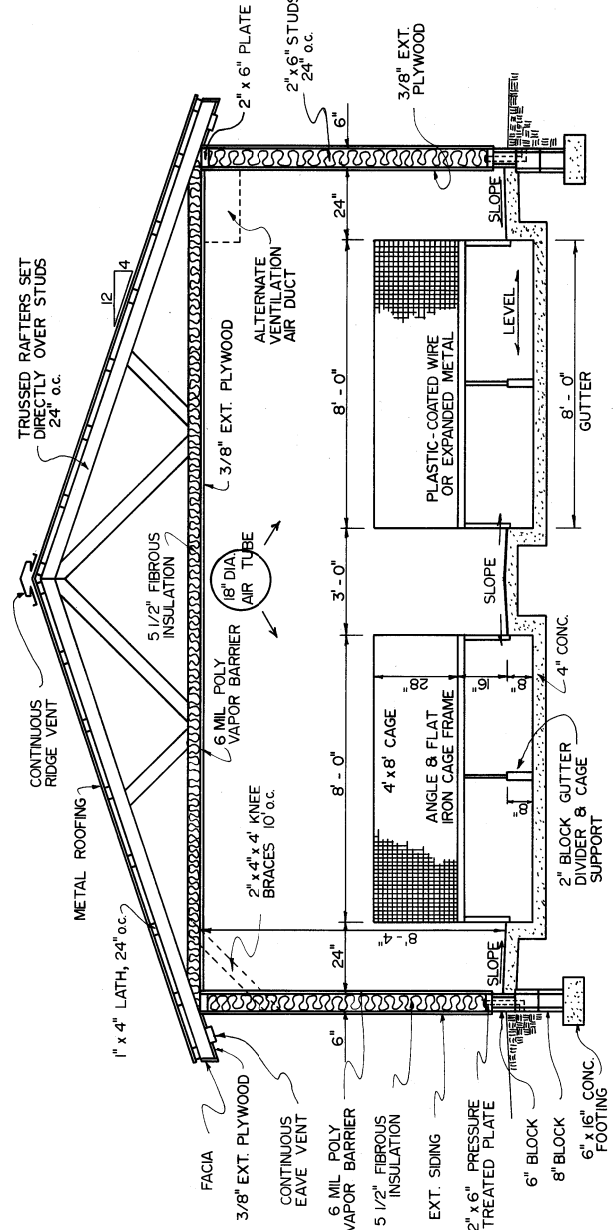


**PLAN**



**SECTION IC**

**SECTION IA**



**SECTION IB**

NOTE: SEE PLAN NO. T4121 FOR SUGGESTED VENTILATION PLAN.

COOPERATIVE EXTENSION WORK IN AGRICULTURE AND HOME ECONOMICS  
STATE OF TENNESSEE  
UNIVERSITY OF TENNESSEE  
AGRICULTURAL ENGINEERING DEPARTMENT  
AND  
UNITED STATES DEPARTMENT OF AGRICULTURE COOPERATING

**DOUBLE WIDE PIG NURSERY WITH ELEVATED CAGES**

TENN. 13-SEPT-88 SHEET 1 OF 1  
GFG/DKC PLAN NO. T 4093