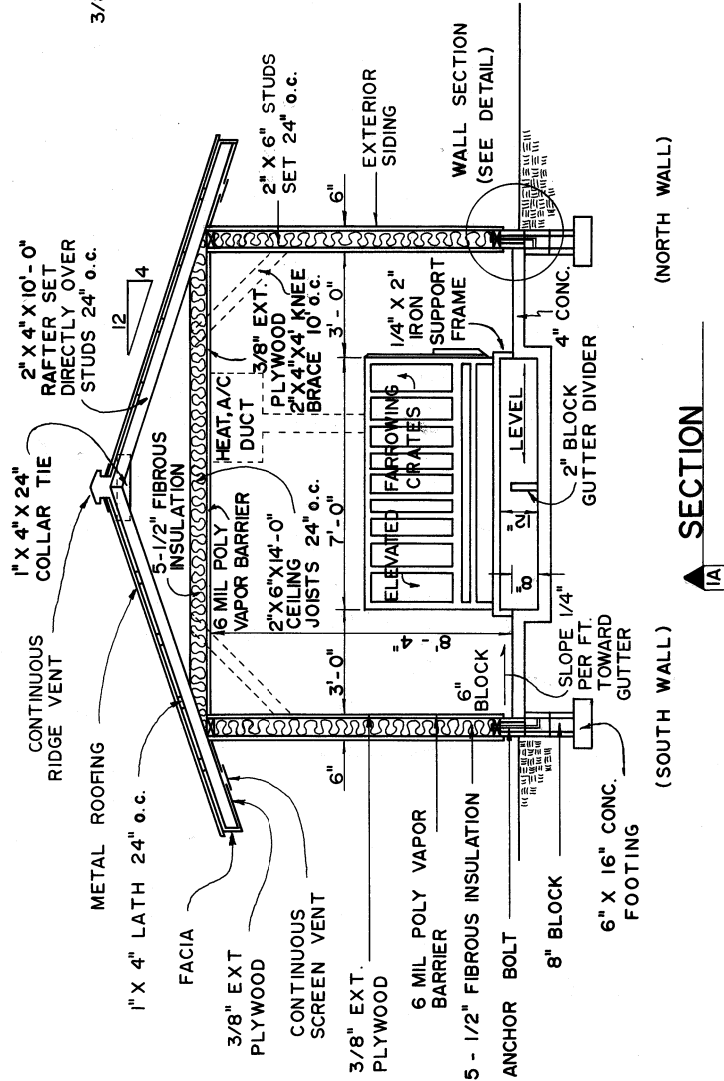


**PLAN**

NOTE:  
ENTIRE BUILDING TO SLOPE  
 $\frac{1}{4}$ " PER FT. (30" IN 120')

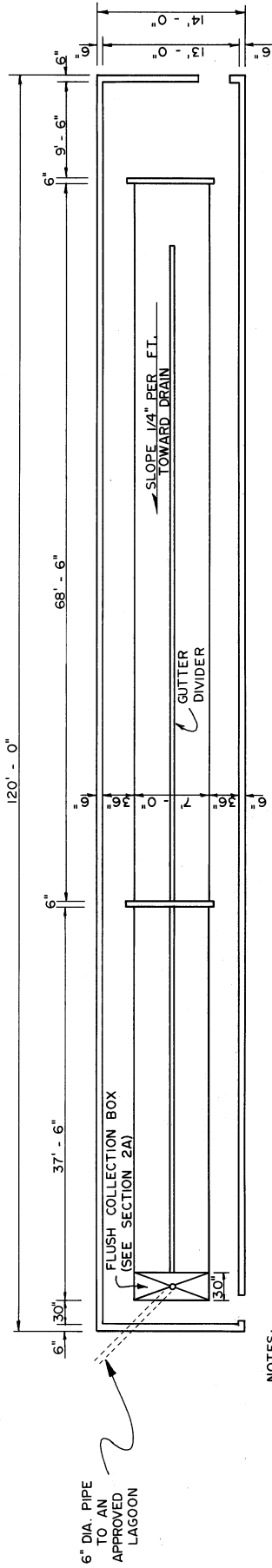
**NOTES**

1. SLOPE ENTIRE BUILDING  $\frac{1}{4}$ " PER FT (30" PER 120').
2. ADEQUATE AND PROPER VENTILATION IS ESSENTIAL FOR THE SUCCESSFUL OPERATION OF ENCLOSED SWINE BUILDINGS.
3. SELECT A COMPLETE VENTILATION SYSTEM BEFORE STARTING CONSTRUCTION. SEE PLAN NO. T4129 FOR SUGGESTED FARRROWING HOUSE VENTILATION PLAN AND NURSERY VENTILATION PLAN.
4. DO NOT CONSTRUCT A CURTAIN WALL FARRROWING HOUSE WITHOUT A CENTRAL HEATING SYSTEM.



**SECTION**

**WALL DETAIL**



**FLUSH GUTTER DETAIL**

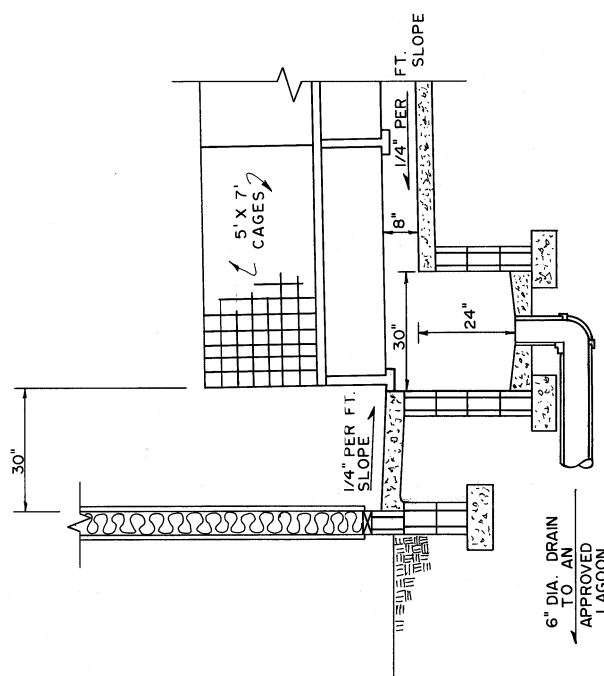
- NOTES:
1. ENTIRE BUILDING TO SLOPE 1/4" PER FT. (30" IN 120')
  2. GUTTER WIDTH (7") SHOULD MATCH EQUIPMENT DIMENSIONS. VERIFY BEFORE STARTING CONSTRUCTION.

6" DIA. PIPE TO AN APPROVED LAGOON

FLUSH COLLECTION BOX (SEE SECTION 2A)

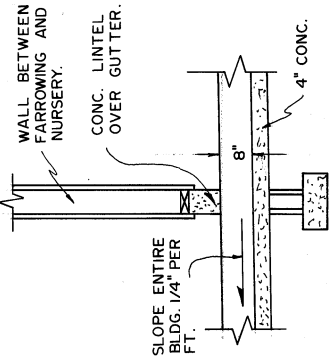
GUTTER DIVIDER

SLOPE 1/4" PER FT. TOWARD DRAIN

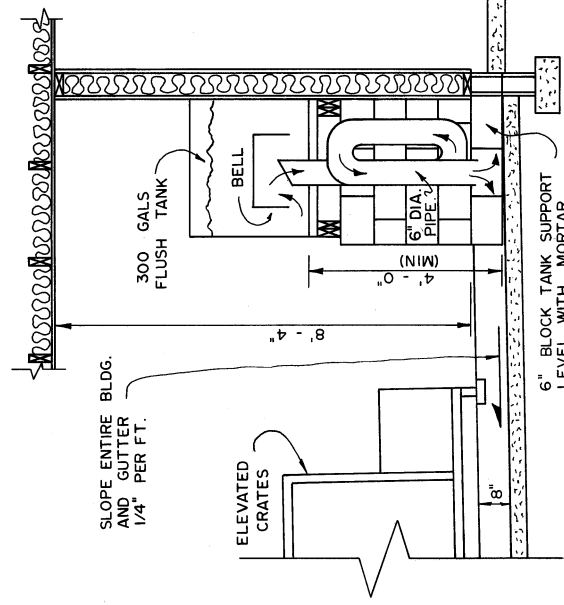


**SECTION 2A**

6" DIA. DRAIN TO AN APPROVED LAGOON



**SECTION 2B**



**SECTION 2C**

COOPERATIVE EXTENSION WORK IN AGRICULTURE AND HOME ECONOMICS  
STATE OF TENNESSEE  
UNIVERSITY OF TENNESSEE  
AGRICULTURAL ENGINEERING DEPARTMENT  
UNITED STATES DEPARTMENT OF AGRICULTURE COOPERATING

**SINGLE ROW FARROWING HOUSE AND CAGE NURSERY**

TENN. 15 - JULY - 88 SHEET 2 OF 2  
GFG/DKC PLAN NO. T-4100