

NOTE:  
MOUNT FAN "A"  
UNDER FAN "B"

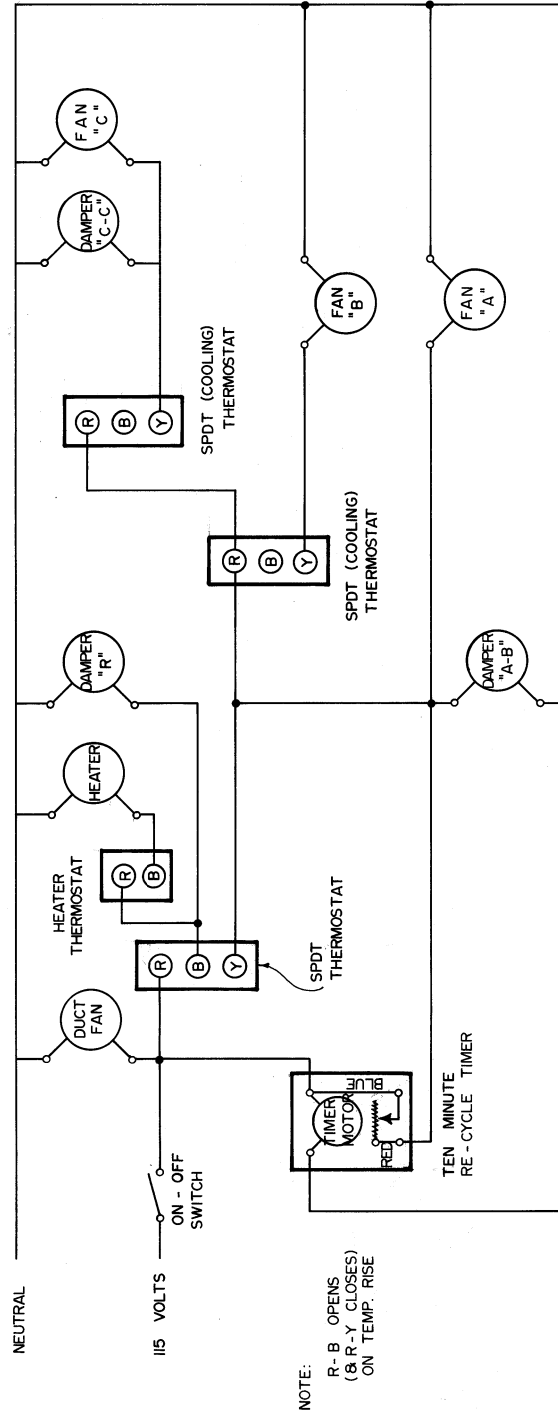
### SCHEMATIC VENTILATION PLAN

### VENTILATION EQUIPMENT AND CONTROLS

ITEM	SPECIFICATIONS	NOTES
TUBE FAN	ACME # RC18E6 (18" DIA.)	OPERATES CONTINUOUSLY
AIR TUBE	ACME # XJA (18" DIA.)	6' TO 68' LONG
FAN "A"	DAYTON #7F445 (12" DIA.; 1/4HP)	900 CFM @ 1/8" S.P.
FAN "B"	DAYTON #7F450 (16" DIA.; 1/4HP)	2275 CFM @ 1/8" S.P.
FAN "C"	DAYTON #7F485 (24" DIA.; 1/2HP)	4965 CFM @ 1/8" S.P.
DAMPER "R"	DAYTON #4C561 (20" x 20')	CLOSE ON TEMP RISE
DAMPER "A-B"	DAYTON #4C561 (20" x 20')	OPENS WHEN FAN "A" AND/OR FAN "B" ON
DAMPER "C-C"	DAYTON #3C315 (24" x 24")	OPENS WHEN FAN "C" ON
GAS-FIRED UNIT HEATER	L.B. WHITE # 348E	60,000 BTU PER HR INPUT WITH ATTACHED THERMOSTAT
THERMOSTAT	DAYTON # 2E206 (3 REQ'D)	SINGLE POLE, DOUBLE THROW
TEN MINUTE RECYCLE TIMER	DAYTON # 2E209	MINIMUM "ON" TIME IS 3MINUTES OF EACH 10
MIXING BOX (24" x 24" x 24")	FABRICATED OF GALVANIZED SHEET METAL TO FIT FANS & DAMPERS	

#### NOTES:

1. ADEQUATE AND PROPER VENTILATION IS ESSENTIAL FOR THE SUCCESSFUL OPERATION OF ENCLOSED SWINE BUILDINGS
2. SELECT A COMPLETE VENTILATION SYSTEM BEFORE STARTING CONSTRUCTION SO THE NECESSARY STRUCTURAL PROVISIONS FOR INSTALLING THE SYSTEM CAN BE MADE. THIS PLAN SHOWS ONE SYSTEM; OTHER COMMERCIAL SYSTEMS ARE AVAILABLE.
3. KEEP ALL OPENINGS - EXCEPT INLET SHUTTERS - CLOSED FOR PROPER VENTILATION.
4. MENTION OF A TRADE NAME IS FOR COMPARISON PURPOSES ONLY. THE AGRICULTURAL EXTENSION SERVICE DOES NOT ENDORSE THE MENTIONED PRODUCTS OR DISSAPROVE OF SIMILAR PRODUCTS NOT MENTIONED.
5. FANS "A", "B" & "C" ARE EXHAUST TYPE WITH GRAVITY SHUTTERS.



NOTE:  
R-B OPENS  
(B-R-Y CLOSSES)  
ON TEMP. RISE

### WIRING DIAGRAM