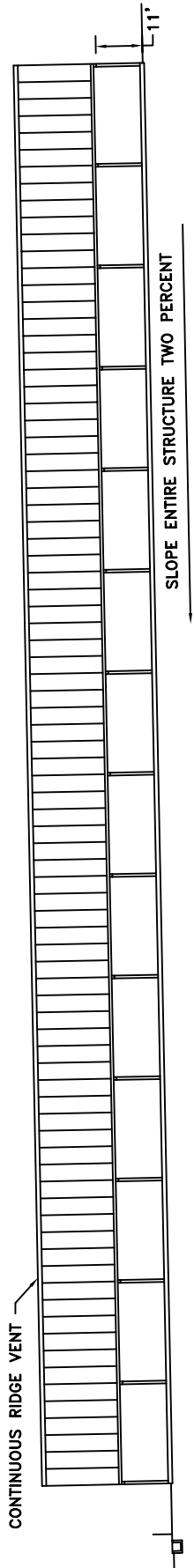


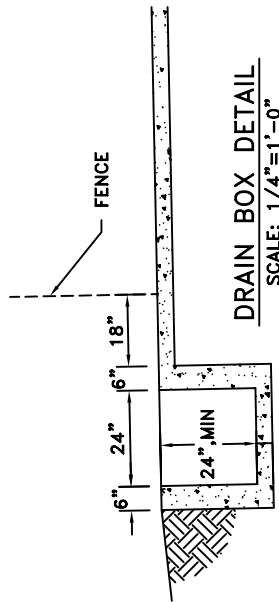
**SUGGESTED PLAN**

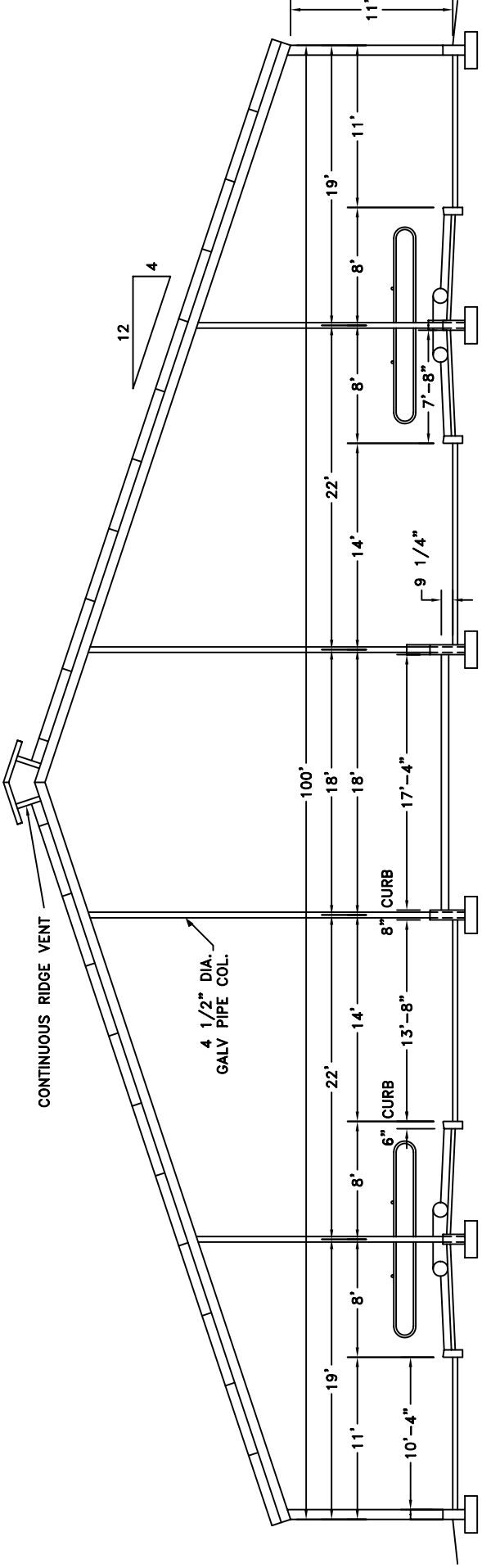
SCALE: 1"=40'



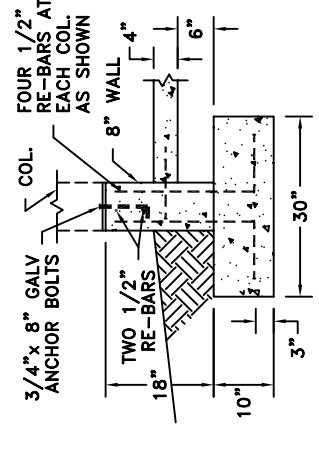
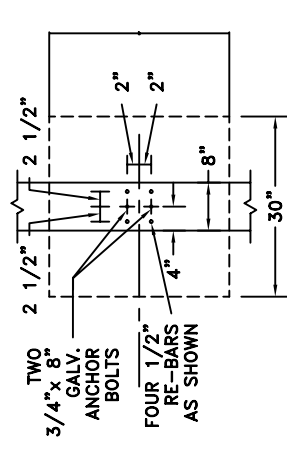
**SIDE VIEW**

SCALE: 1"=40'

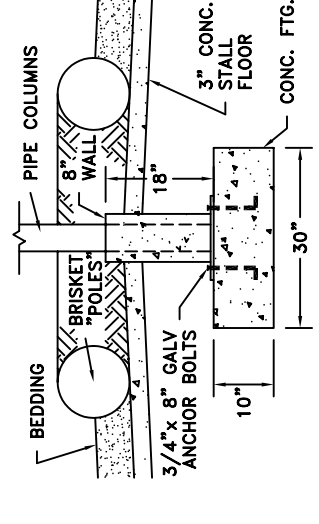
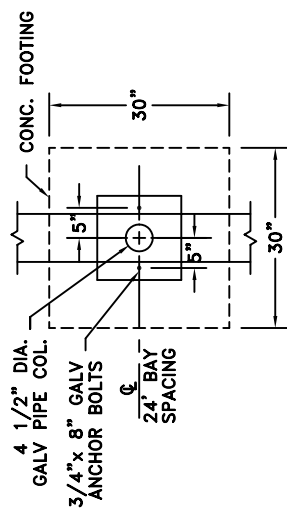




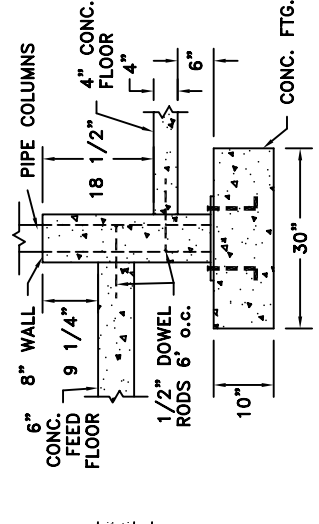
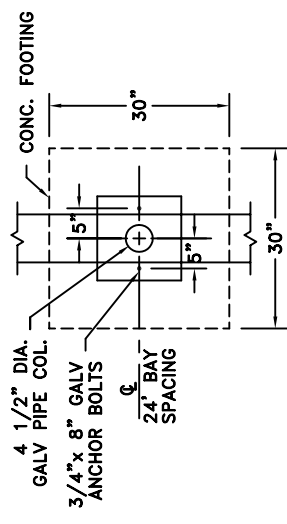
CROSS SECTION  
SCALE: 3/32"=1'-0"



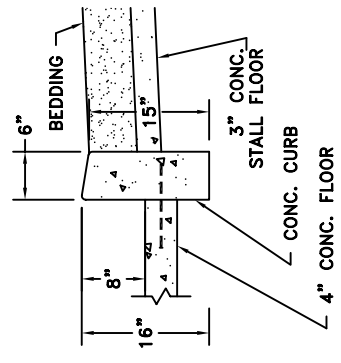
EXTERIOR FOOTING AT COLUMN  
SCALE: 3/8"=1'-0"



EXTERIOR FOOTING AT FREESTALL  
SCALE: 3/8"=1'-0"



EXTERIOR FOOTING AT FEEDWAY  
SCALE: 3/8"=1'-0"



CURB DETAIL AT FREESTALL  
SCALE: 1/2"=1'-0"