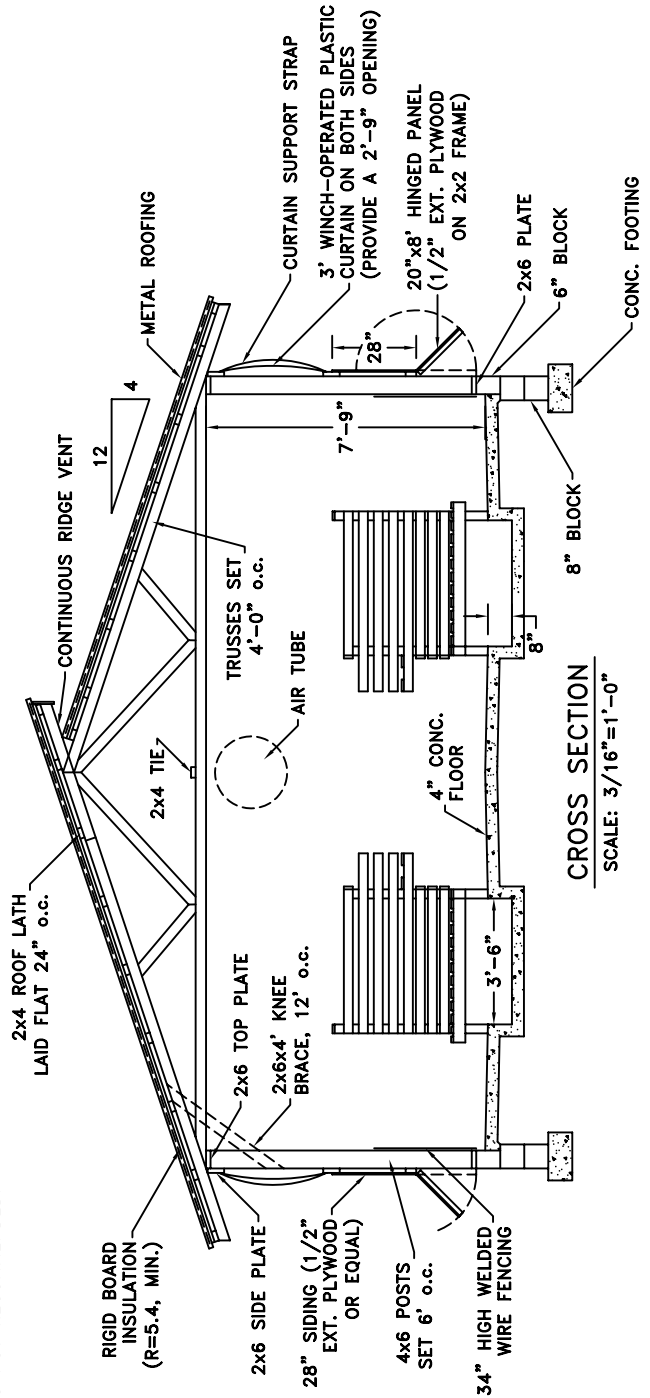


PLAN

SCALE: 3/32"=1'-0"

INSULATION JOINTS TO BE TONGUE & GROOVE OR TAPED WITH VAPOR RESISTANT TAPE. MOLDED BEAD STYRENE IS NOT RECOMMENDED.



CROSS SECTION

SCALE: 3/16"=1'-0"

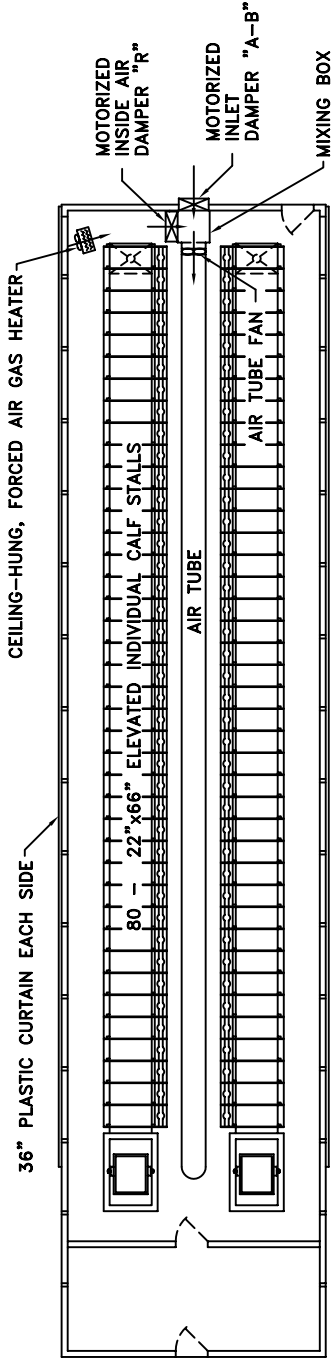
- NOTES:
1. SEE PLAN NO. T4044 FOR FLUSH TANK CONSTRUCTION DETAILS.
 2. SEE PLAN NO. T4030 FOR FLUSH TANK MOUNTING DETAILS
 3. SEE SHEET TWO FOR VENTILATION SYSTEM DETAILS
 4. AIR TUBE MAY BE PLACED OFF-CENTER OVER ONE ROW OF STALLS TO IMPROVE HEADROOM CLEARANCE

COOPERATIVE EXTENSION WORK IN AGRICULTURE AND HOME ECONOMICS
STATE OF TENNESSEE
THE UNIVERSITY OF TENNESSEE
INSTITUTES OF AGRICULTURE AND MECHANICAL SCIENCES DEPARTMENT
UNITED STATES DEPARTMENT OF AGRICULTURE COOPERATING

ENCLOSED CALF BARN WITH 80 ELEVATED STALLS

TENN 14-NOV-2002 SHEET 1 OF 2

GFG PLAN NO. T4177

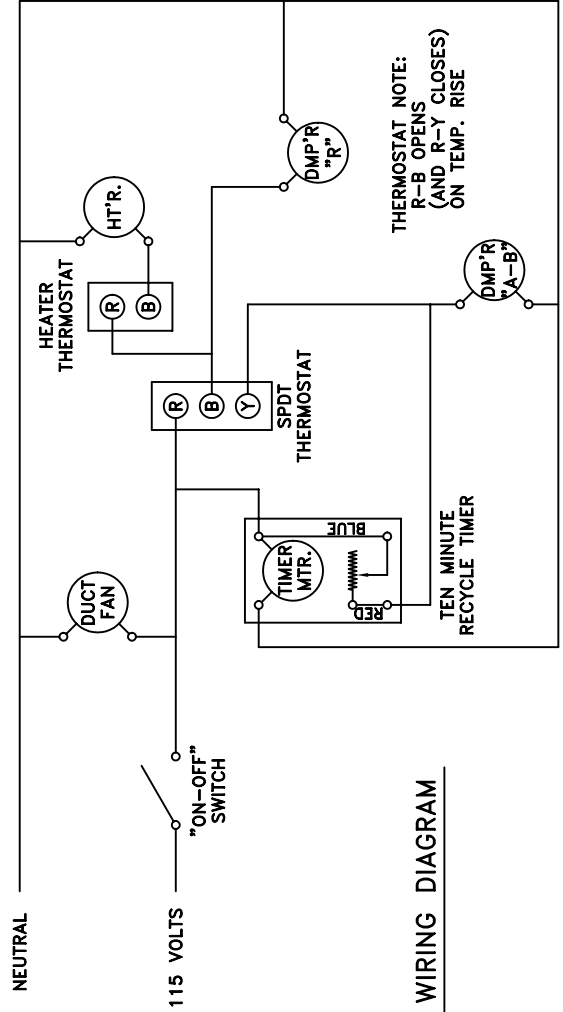


SCHMATIC VENTILATION PLAN

ITEM	SPECIFICATIONS	NOTES
TUBE FAN	ACME # RCP2468 (24" DIA.)	OPERATES CONTINUOUSLY
AIR TUBE	ACME # HDP (24" DIA.)	73" TO 81" LONG
DAMPER "R"	DAYTON #3C234 (30"x30")	CLOSES ON TEMPERATURE RISE
DAMPER "A-B"	DAYTON #3C234 (30"x30")	OPENS ON TEMPERATURE RISE
GAS-FIRED UNIT HEATER	L. B. WHITE #377-3	115,000 BTU PER HR INPUT WITH ATTACHED THERMOSTAT
THERMOSTAT	DAYTON #2E206	SINGLE POLE; DOUBLE THROW
TEN MINUTE RECYCLE TIMER	DAYTON #2E209	MINIMUM "ON" TIME IS THREE MINUTES OF EACH TEN
MIXING BOX	(32"x32"x32")	FABRICATED OF GALVANIZED SHEET METAL TO FIT FAN AND DAMPERS

NOTES:

1. ADEQUATE AND PROPER VENTILATION IS ESSENTIAL FOR THE SUCCESSFUL OPERATION OF ENCLOSED LIVESTOCK HOUSING.
2. SELECT A COMPLETE VENTILATION SYSTEM BEFORE STARTING CONSTRUCTION SO THE NECESSARY STRUCTURAL PROVISIONS FOR INSTALLING THE SYSTEM CAN BE MADE. THIS PLAN SHOWS ONE SYSTEM; OTHER COMMERCIAL SYSTEMS ARE AVAILABLE.
3. MENTION OF A TRADE NAME IS FOR COMPARISON PURPOSES ONLY. THE AGRICULTURAL EXTENSION SERVICE DOES NOT ENDORSE THE MENTIONED PRODUCTS OR DISAPPROVE OF SIMILAR PRODUCTS NOT MENTIONED.
4. AIR TUBE MAY BE PLACED OFF-CENTER OVER ONE ROW OF STALLS TO IMPROVE HEADROOM CLEARANCE.



WIRING DIAGRAM